

Product Data Sheet 4412 FGML

**ebmpapst**

The engineer's choice



## 4412 FGML

## INDEX

<b>1</b>	<b>General</b> .....	<b>3</b>
<b>2</b>	<b>Mechanics</b> .....	<b>3</b>
2.1	General .....	3
2.2	Connections .....	3
<b>3</b>	<b>Operating Data</b> .....	<b>4</b>
3.1	Electrical Operating Data .....	4
3.2	Electrical Features .....	4
3.3	Aerodynamics .....	6
3.4	Sound Data .....	7
<b>4</b>	<b>Environment</b> .....	<b>7</b>
4.1	General .....	7
4.2	Climatic Requirements .....	7
<b>5</b>	<b>Safety</b> .....	<b>8</b>
5.1	Electrical Safety .....	8
5.2	Approval Tests .....	8
<b>6</b>	<b>Reliability</b> .....	<b>8</b>
6.1	General .....	8

**1 General**

Fan type	Fan	
Rotating direction looking at rotor	Counterclockwise	
Airflow direction	Air outlet over struts	
Bearing system	Sleeve bearing	
Mounting position - shaft	Any	

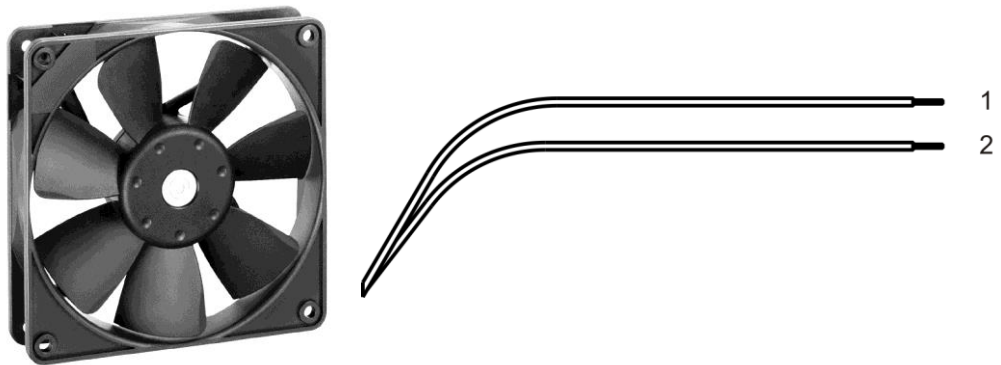
**2 Mechanics**

**2.1 General**

Width	119,0 mm	
Height	119,0 mm	
Depth	25,4 mm	
Mass	0,175 kg	
Housing material	Plastic	
Impeller material	Plastic	
Max. torque when mounted across both mounting flanges	Wire outlet corner: 40 Ncm Remaining corners: 10 Ncm	
Screw size	ISO 4762 - M4 degreased, without an additional brace and without washer	

**2.2 Connections**

Electrical connection	Wires	
Lead wire length	L = 310 mm	
Tolerance	+ - 10,0 mm	
Wire size (AWG)	24	
Insulation diameter	1,55 mm	



Wire	Color	Operation
1	red	+ UB
2	blue	- GND

### 3 Operating Data

#### 3.1 Electrical Operating Data

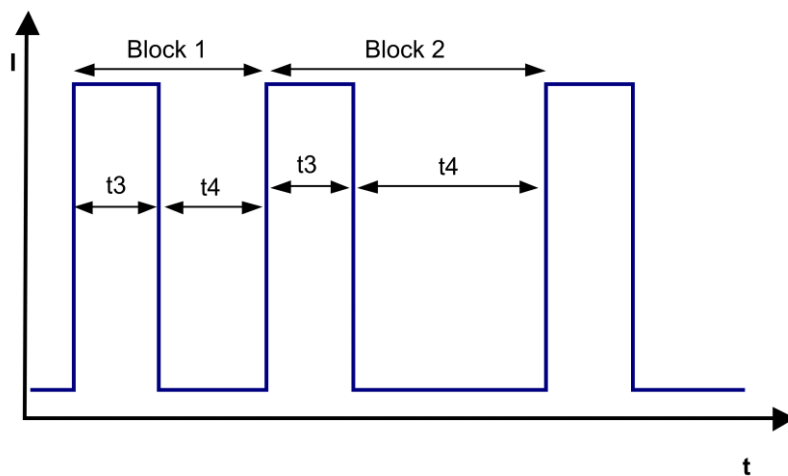
Measurement conditions: Normal air density = 1,2 kg/m<sup>3</sup>; Temperature 23°C +/- 3°C; Motor axis horizontal; warm-up time before measuring 5 minutes (unless otherwise specified). In the intake and outlet area should not be any solid obstruction within 0,5 m.

$\Delta p = 0$ : corresp. to free air flow (see chapter aerodynamics)  
 I: corresp. to arithm. mean current value

Features	Condition	Symbol	Values		
Voltage range		U	7 V		12,6 V
Nominal voltage		$U_N$		12,0 V	
Power consumption	$\Delta p = 0$	P	0,4 W	1,8 W	3 W
Tolerance	0010		+/- 20,0 %	+/- 15,0 %	+/- 17,5 %
Current consumption	$\Delta p = 0$	I	67 mA	150 mA	200 mA
Tolerance	0010		+/- 20,0 %	+/- 15,0 %	+/- 17,5 %
Speed	$\Delta p = 0$	n	1.050 1/min	1.950 1/min	2.300 1/min
Tolerance	0010		+/- 15,0 %	+/- 10,0 %	+/- 12,5 %
Starting current consumption				330 mA	

#### 3.2 Electrical Features

Electronic function	None	
Reversed polarity protection	Rectifying diode	
Max. residual current at $U_N$	$I_F \leq 150 \mu A$	
Locked rotor protection	Auto restart	
Locked rotor current at $U_N$	$I_{block}$ approx. 330 mA	
Clock signal at locked rotor	$t_3 / t_4$ typical: 0,6 s / 10 s	



Block1: special locked rotor protection: 5 cycles  $t_3 / t_4 = 0,6 \text{ s} / 0,5 \text{ s}$  Block2: locked rotor protection  $t_3 / t_4 = 0,6 \text{ s} / 10 \text{ s}$

### 3.3 Aerodynamics

Measurement conditions:

Measured with a double chamber intake rig acc. to DIN EN ISO 5801.

Normal air density = 1,2 kg/m<sup>3</sup>; Temperature 23°C +/- 3°C;

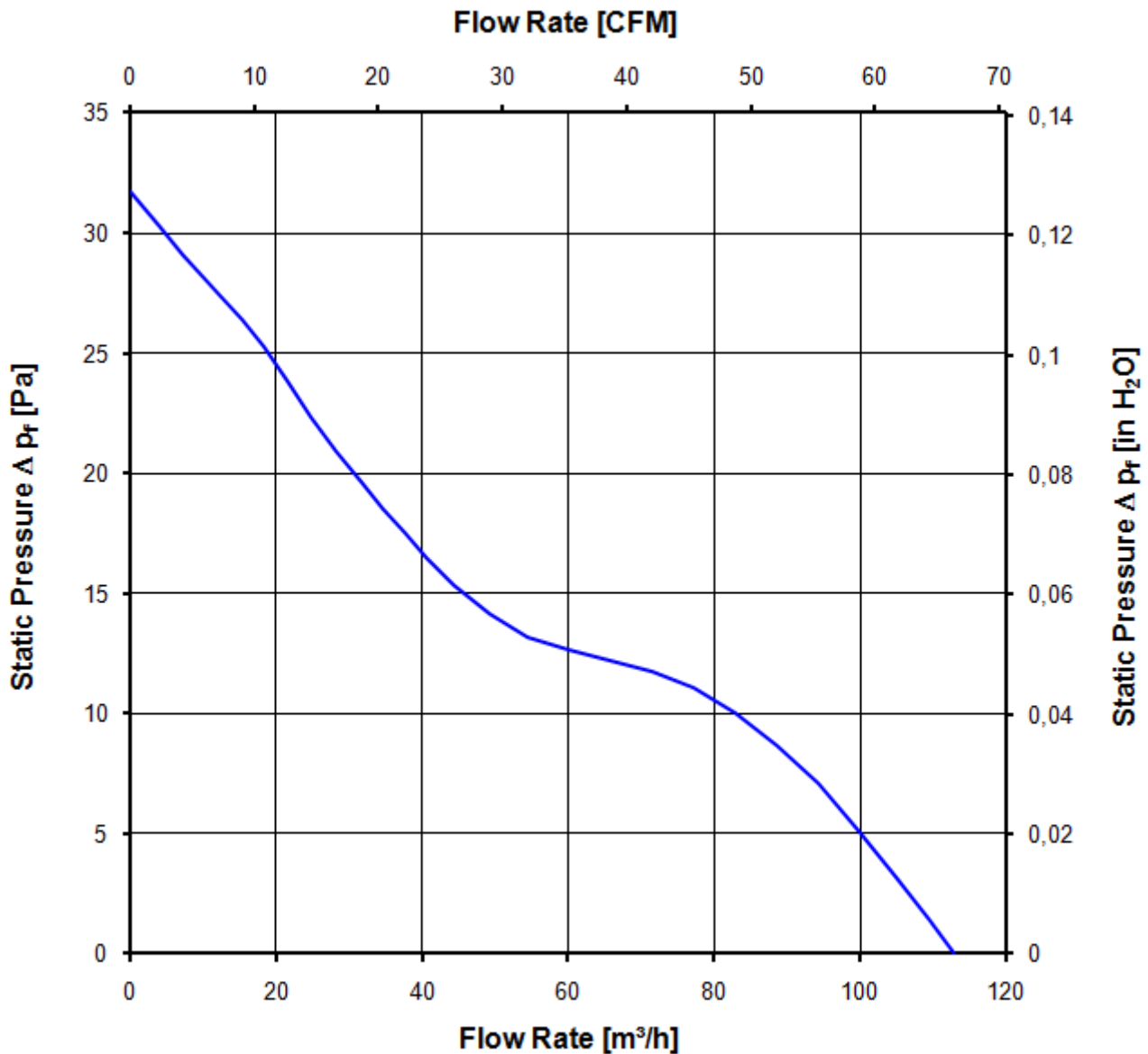
In the intake and outlet area should not be any solid obstruction within 0,5 m. Motor shaft horizontal.

The information is only valid under the specified test conditions and may be changed by the installation conditions. If there are deviations from the standard test conditions, the characteristic values must be checked under the installed conditions.

a.) Operation condition:

1.950 1/min at free air flow

Max. free-air flow ( $\Delta p = 0 / \dot{V} = \text{max.}$ )	114,0 m <sup>3</sup> /h	
Max. static pressure ( $\Delta p = \text{max.} / \dot{V} = 0$ )	32 Pa	



### 3.4 Sound Data

Measurement conditions: Sound pressure level: 1 meter distance between microphone and the air intake.  
 Sound power level: Acc. to DIN 45635 part 38 (ISO 10302)  
 Measured in a semianchoic chamber with a background noise level of  $L_p(A) < 5 \text{ dB(A)}$   
 For further measurement conditions see chapter aerodynamics.

a.) Operation condition:

1.950 1/min at free air flow		
Optimal operating point	82,0 m <sup>3</sup> /h @ 9 Pa	
Sound power level at the optimal operating point	4,3 bel(A)	
Sound pressure level at free air flow, measured in rubber bands	30,0 dB(A)	

## 4 Environment

### 4.1 General

Min. permitted ambient temperature TU min.	-20 °C	
Max. permitted ambient temperature TU max.	75 °C	
Min. permitted storage temperature TL min.	-40 °C	
Max. permitted storage temperature TL max.	80 °C	

### 4.2 Climatic Requirements

Humidity requirements	humid heat, constant; according to DIN EN 60068-2-78, 14 days	
Water exposure	None	
Dust requirements	None	
Salt fog requirements	None	

Permitted application area:

The product is intended for use in sheltered rooms with controlled temperature and controlled humidity. Directly exposure to water must be avoided.

Pollution degree 1 (according DIN EN 60664-1)

There is either no pollution or it occurs only dry, non-conductive pollution. The pollution has no negative impact.

Please require severity levels and specification parameters from the responsible development departments.

**5 Safety**

**5.1 Electrical Safety**

Dielectric strength DIN EN 60950 (VDE 0805) and DIN EN 60335 (VDE 0700) A.) Type test Measuring conditions: After 48h of storage at 95% R.H. and 25°C. No arcing or breakdown is allowed! All connections together to ground.	500 VAC / 1 Min.	
B.) Routine test Measuring conditions: At indoor climate. No arcing or breakdown is allowed! All connections together to ground.	850 VDC / 1 Sec.	
Isolation resistance Measuring conditions: After 48h of storage at 95% R.H. and 25°C measured with U=500 VDC for 1 min.	RI > 10 MOhm	
Clearance / creepage distance	1,0 mm / 1,2 mm	
Protection class	III	

**5.2 Approval Tests**

CE	EC Declaration of Conformity	Yes
EAC	Eurasian Conformity	Yes
UL	Underwriters Laboratories	Yes / UL507, Electric Fans
VDE	Association for Electrical, Electronic and Information Technologies	Yes
CSA	Canadian Standards Association	Yes / C22.2 No. 113 Fans and Ventilators
CCC	China Compulsory Certification	Not applicable

**6 Reliability**

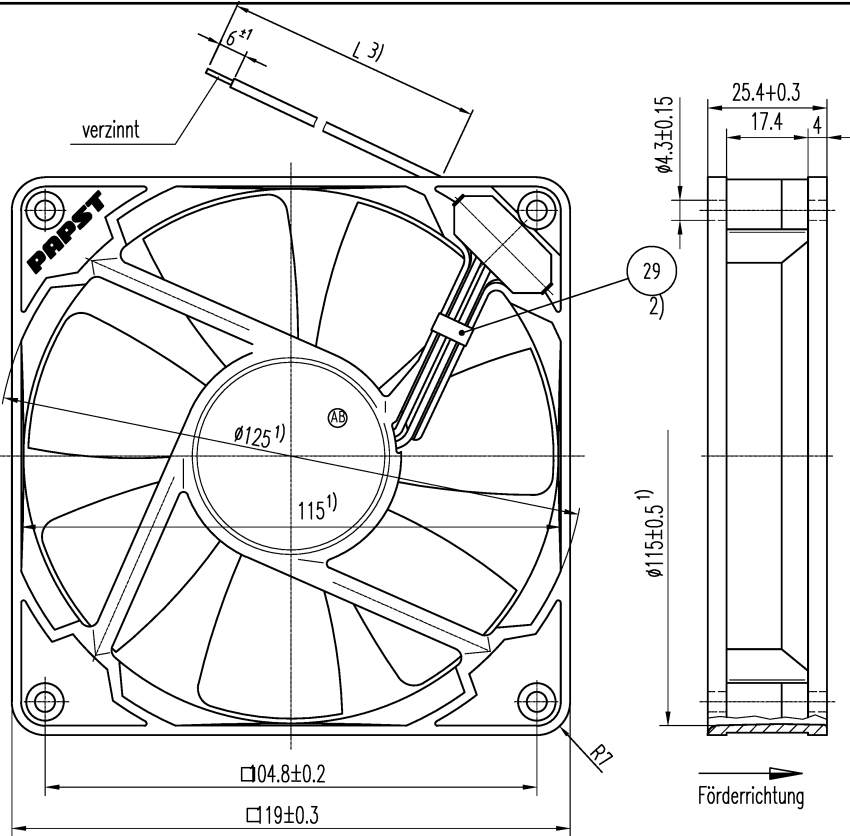
**6.1 General**

Life expectancy L10 at TU = 40 °C	75.000 h	
Life expectancy L10 at TU max.	32.500 h	
Life expectancy L10 acc. to IPC 9591 at TU = 40 °C	127.500 h	



Copying of this document and using it in other and the use or reproduction of the contents thereof are forbidden without our written consent. Offences are liable to the payment of damages. All rights are reserved in the event of the grant of a patent, or the registration of a utility model or design.

Schutzvermerk nach DIN ISO 9016 beachten/  
Refer to protection notice DIN ISO 9016!



- Axialspiel bei Kugellagerung (K) : 0 (mit Federausgleich)  
 Axialspiel bei Gleitlagerung (G) : 0.1 - 0.6  
 1) Maße für Montagewand  
 2) Pos. 29 nur wenn in Stückliste vorhanden  
 3) Anzahl und Länge der Litzen siehe Produktspezifikation

SAP-Status/State		Aend.-Nr./Change-No.		AutoCAD-System-Version		ebmpapst		Werkstoff/Material		Volumen/Volume (mm³):	
				CAD-Umgebung/ CAD-Umwelt						Gewicht/Mass (g):	
				Datum/Date		Name/Name					
Tolerierung/Tolerances:		Bearb./ Drawn						Artikel/Title			
		Gepr./ Checked									
Allgemeintoleranzen/Gen. tolerances:		Freig./ Released						Zchg.-Nr./ Drawing.-No.:		Ers.f.Zchg./ Replaces:	
		ebmpapst									
		ebm-papst St. Georgen GmbH & Co. KG						Dokumenttyp/Type of Document		Teildokument (Blatt/Page)	
								Index/Index		Formal/Size:	
										Massstab/scale	