

Product Data Sheet 4412 F/2GML

ebmpapst

The engineer's choice



4412 F/2GML

INDEX

1 General 3

2 Mechanics 3

 2.1 General 3

 2.2 Connections 3

3 Operating Data 4

 3.1 Electrical Operating Data 4

 3.2 Electrical Interface - Output 5

 3.3 Electrical Features 6

 3.4 Aerodynamics 7

 3.5 Sound Data 8

4 Environment 8

 4.1 General 8

 4.2 Climatic Requirements 8

5 Safety 9

 5.1 Electrical Safety 9

 5.2 Approval Tests 9

6 Reliability 9

 6.1 General 9

1 General

Fan type	Fan	
Rotating direction looking at rotor	Counterclockwise	
Airflow direction	Air outlet over struts	
Bearing system	Sleeve bearing	
Mounting position - shaft	Any	

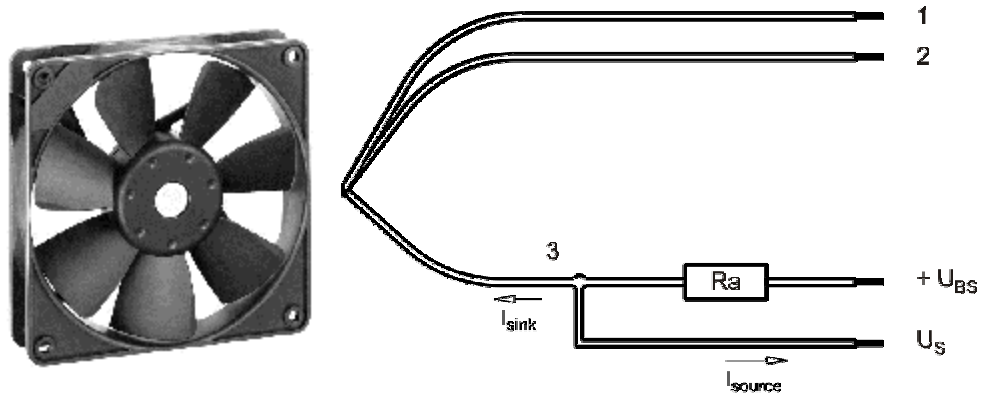
2 Mechanics

2.1 General

Width	119,0 mm	
Height	119,0 mm	
Depth	25,4 mm	
Mass	0,175 kg	
Housing material	Plastic	
Impeller material	Plastic	
Max. torque when mounted across both mounting flanges	Wire outlet corner: 40 Ncm Remaining corners: 10 Ncm	
Screw size	ISO 4762 - M4 degreased, without an additional brace and without washer	

2.2 Connections

Electrical connection	Wires	
Lead wire length	L = 310 mm	
Tolerance	+ - 10,0 mm	
Wire size (AWG)	24	
Insulation diameter	1,55 mm	



Wire	Color	Operation
1	red	+ UB
2	blue	- GND
3	white	Tacho

The auxiliaries shown on the schematic diagram (which are required for the intended use) are not part of our delivery.

3 Operating Data

3.1 Electrical Operating Data

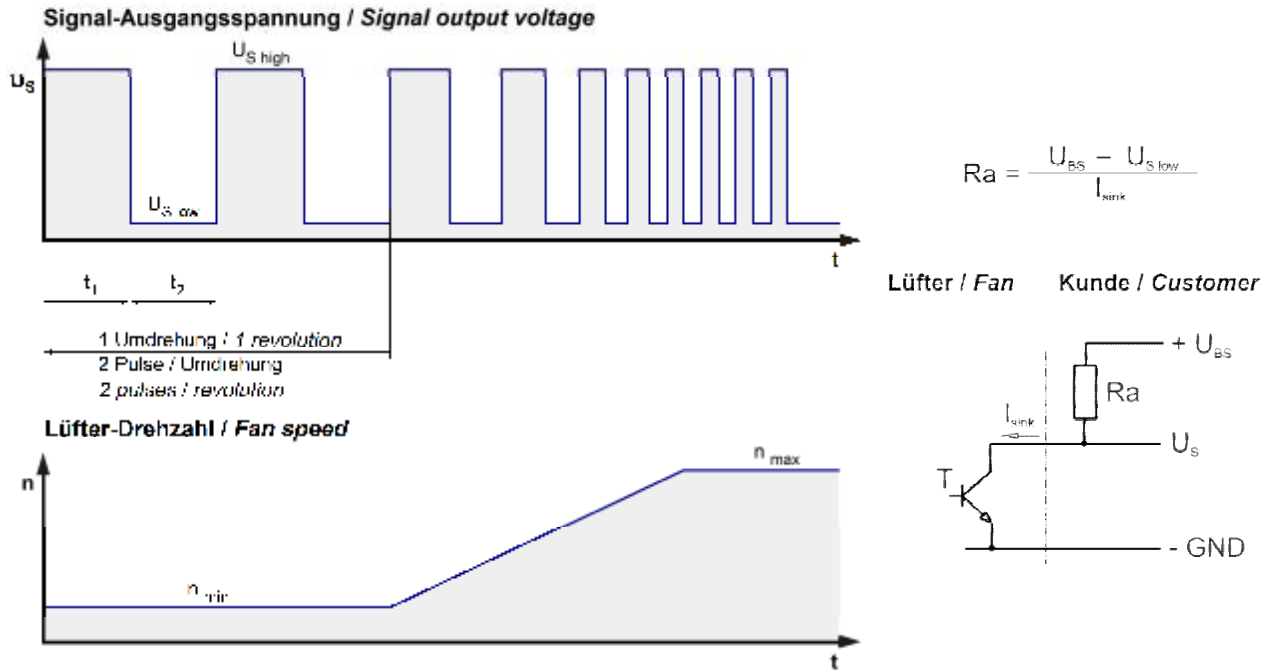
Measurement conditions: Normal air density = 1,2 kg/m³; Temperature 23°C +/- 3°C; Motor axis horizontal; warm-up time before measuring 5 minutes (unless otherwise specified). In the intake and outlet area should not be any solid obstruction within 0,5 m.

$\Delta p = 0$: corresp. to free air flow (see chapter aerodynamics)
I: corresp. to arithm. mean current value

Features	Condition	Symbol	Values		
Voltage range		U	7 V		12,6 V
Nominal voltage		U_N		12,0 V	
Power consumption	$\Delta p = 0$	P	0,4 W	2 W	3 W
Tolerance	0010		+/- 20,0 %	+/- 15,0 %	+/- 17,5 %
Current consumption	$\Delta p = 0$	I	67 mA	160 mA	200 mA
Tolerance	0010		+/- 20,0 %	+/- 15,0 %	+/- 17,5 %
Speed	$\Delta p = 0$	n	1.050 1/min	1.950 1/min	2.300 1/min
Tolerance	0010		+/- 15,0 %	+/- 10,0 %	+/- 12,5 %
Starting current consumption				330 mA	

3.2 Electrical Interface - Output

Tacho type	/2 (open collector)
------------	---------------------

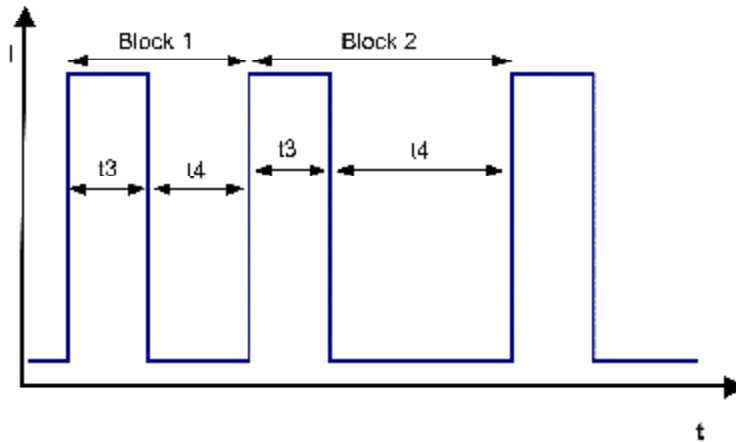


Features	Note	Values
Tacho operating voltage	U_{BS}	$\leq 30,0\ V$
Tacho signal Low	$U_{S\ low}$	$I_{\text{sink}}: 2\ \text{mA}$ $\leq 0,4\ V$
Tacho signal High	$U_{S\ high}$	$I_{\text{source}}: 0\ \text{mA}$ $\leq 30,0\ V$
Maximum sink current	I_{sink}	$\leq 4\ \text{mA}$
Maximum source current		$0\ \text{mA}$
External resistor	External resistor R_a from U_{BS} to U_S required. All voltages measured to GND .	
Tacho frequency	$(2 \times n) / 60$	
Tacho isolated from motor	No	
Slew rate		$\Rightarrow 0,5\ V/\mu\text{s}$

n = revolutions per minute (1/min)

3.3 Electrical Features

Electronic function	None	
Reversed polarity protection	Rectifying diode	
Max. residual current at U_N	$I_F \leq 150 \mu\text{A}$	
Locked rotor protection	Auto restart	
Locked rotor current at U_N	I_{block} approx. 330 mA	
Clock signal at locked rotor	t_3 / t_4 typical: 0,6 s / 10 s	



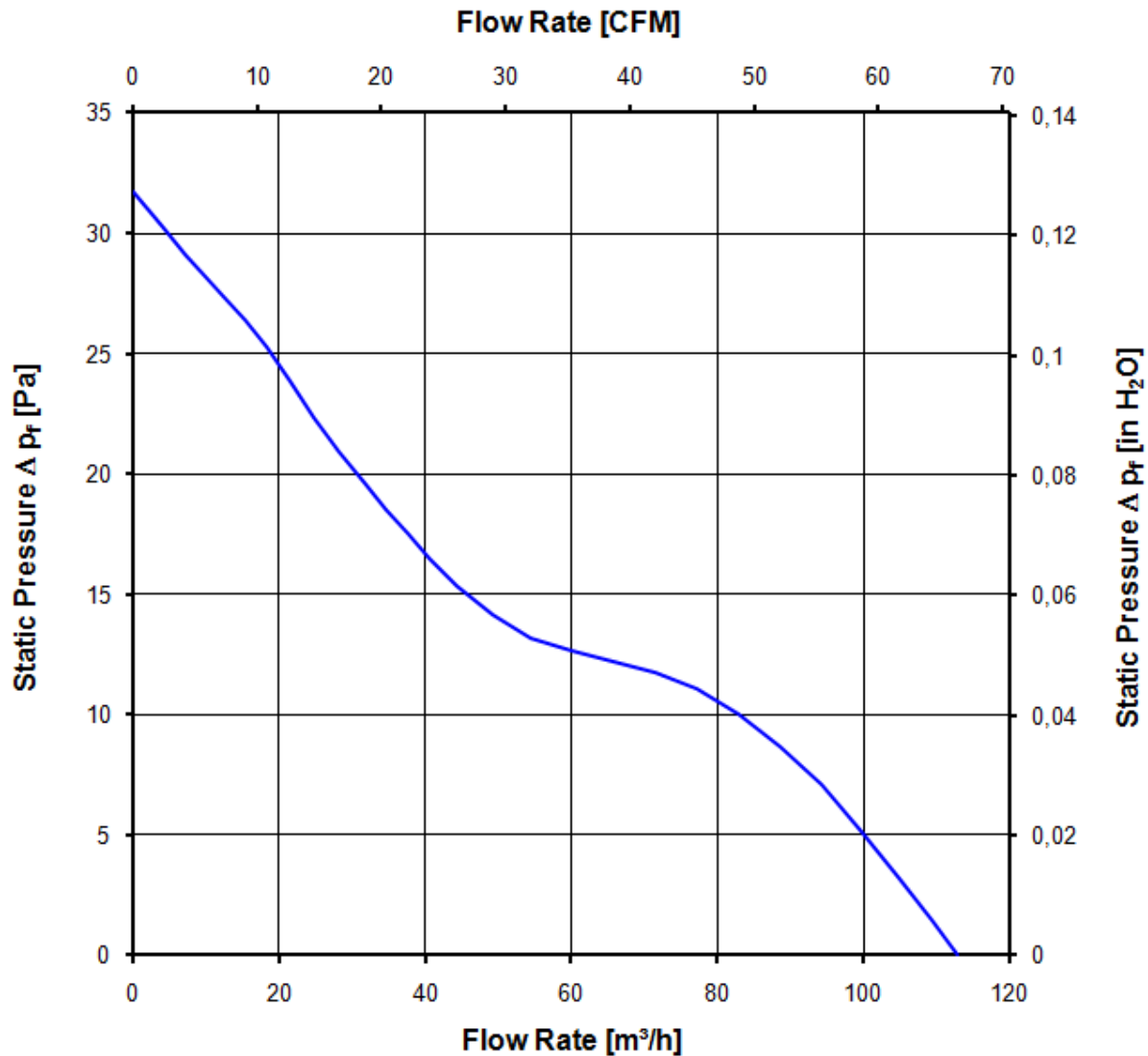
Block1: special locked rotor protection: 5 cycles $t_3 / t_4 = 0,6 \text{ s} / 0,5 \text{ s}$ Block2: locked rotor protection $t_3 / t_4 = 0,6 \text{ s} / 10 \text{ s}$

3.4 Aerodynamics

Measurement conditions: Measured with a double chamber intake rig acc. to DIN EN ISO 5801.
 Normal air density = 1,2 kg/m³; Temperature 23°C +/- 3°C;
 In the intake and outlet area should not be any solid obstruction within 0,5 m. Motor shaft horizontal.
 The information is only valid under the specified test conditions and may be changed by the installation conditions. If there are deviations from the standard test conditions, the characteristic values must be checked under the installed conditions.

a.) Operation condition:

1.950 1/min at free air flow		
Max. free-air flow ($\Delta p = 0 / \dot{V} = \text{max.}$)	114,0 m ³ /h	
Max. static pressure ($\Delta p = \text{max.} / \dot{V} = 0$)	32 Pa	



3.5 Sound Data

Measurement conditions: Sound pressure level: 1 meter distance between microphone and the air intake.
 Sound power level: Acc. to DIN 45635 part 38 (ISO 10302)
 Measured in a semianchoic chamber with a background noise level of $L_p(A) < 5 \text{ dB(A)}$
 For further measurement conditions see chapter aerodynamics.

a.) Operation condition:

1.950 1/min at free air flow		
Optimal operating point	82,0 m ³ /h @ 9 Pa	
Sound power level at the optimal operating point	4,3 bel(A)	
Sound pressure level at free air flow, measured in rubber bands	30,0 dB(A)	

4 Environment

4.1 General

Min. permitted ambient temperature TU min.	-20 °C	
Max. permitted ambient temperature TU max.	75 °C	
Min. permitted storage temperature TL min.	-40 °C	
Max. permitted storage temperature TL max.	80 °C	

4.2 Climatic Requirements

Humidity requirements	humid heat, constant; according to DIN EN 60068-2-78, 14 days	
Water exposure	None	
Dust requirements	None	
Salt fog requirements	None	

Permitted application area:

The product is intended for use in sheltered rooms with controlled temperature and controlled humidity. Directly exposure to water must be avoided.

Pollution degree 1 (according DIN EN 60664-1)

There is either no pollution or it occurs only dry, non-conductive pollution. The pollution has no negative impact.

Please require severity levels and specification parameters from the responsible development departments.

5 Safety

5.1 Electrical Safety

Dielectric strength DIN EN 60950 (VDE 0805) and DIN EN 60335 (VDE 0700) A.) Type test Measuring conditions: After 48h of storage at 95% R.H. and 25°C. No arcing or breakdown is allowed! All connections together to ground. B.) Routine test Measuring conditions: At indoor climate. No arcing or breakdown is allowed! All connections together to ground.	500 VAC / 1 Min. 850 VDC / 1 Sec.	
Isolation resistance Measuring conditions: After 48h of storage at 95% R.H. and 25°C measured with U=500 VDC for 1 min.	RI > 10 MOhm	
Clearance / creepage distance	1,0 mm / 1,2 mm	
Protection class	III	

5.2 Approval Tests

CE	EC Declaration of Conformity	Yes
EAC	Eurasian Conformity	Yes
UL	Underwriters Laboratories	Yes / UL507, Electric Fans
VDE	Association for Electrical, Electronic and Information Technologies	Yes / Approval acc. to EN 60950 (VDE 0805) - Information technology equipment
CSA	Canadian Standards Association	Yes / C22.2 No. 113 Fans and Ventilators
CCC	China Compulsory Certification	Not applicable

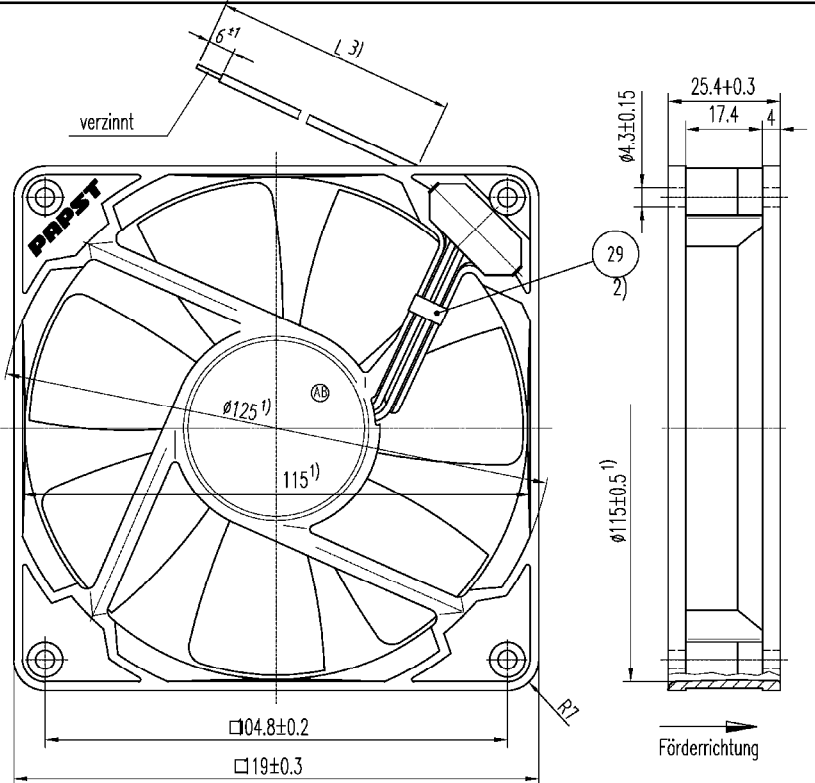
6 Reliability

6.1 General

Life expectancy L10 at TU = 40 °C	75.000 h	
Life expectancy L10 at TU max.	32.500 h	
Life expectancy L10 acc. to IPC 9591 at TU = 40 °C	127.500 h	

Copying of this document and giving it to others and the use or communication of the contents hereof, are prohibited without the written consent of the manufacturer. All rights are reserved in the event of the grant of a patent or the registration of a utility model or design.

Schrittmotor nach DIN EN ISO 14685, baugleich mit dem Typenname. Refer to production notes, DMS 1005.



- Axialspiel bei Kugellagerung (K) : 0 (mit Federausgleich)
 Axialspiel bei Gleitlagerung (G) : 0.1 - 0.6
 1) Maße für Montagewand
 2) Pos. 29 nur wenn in Stückliste vorhanden
 3) Anzahl und Länge der Litzen siehe Produktspezifikation

SAP-Status/State		Amd.-Nr./Change-No.		AutCAD-System-Version		ebmpapst		Werkstoff/Material:		Volumen/Volume (mm ³):	
				CAD-Umgebung/ CAD-Erwinseriekt		Datei/Date		Name/Name		Gewicht/Mass (g):	
Tolerierung/Tolerances:		Bearb./ Drawn		Zchg.-Nr./ Drawing-No.		Artikel/Title		Ers.f.Zchg./ Replaces:			
Allgemeintoleranzen/Gen. tolerances:		Zchg.-Nr./ Drawing-No.		Ers.f.Zchg./ Replaces:		Formel/Size		Massstab/scale			
		Freig./ Released		ebmpapst		ebm-papst St. Georgen GmbH & Co. KG		Dokumenttyp/Type of Document		Teilnummer (Blatt/Page)	
								Index/Index			