

Product Data Sheet 6314/2HP

**ebmpapst**

The engineer's choice



6314/2HP

INDEX

**1 General..... 3**

**2 Mechanics..... 3**

    2.1 General..... 3

    2.2 Connections..... 3

**3 Operating Data ..... 4**

    3.1 Electrical Interface - Input..... 4

    3.2 Electrical Operating Data ..... 5

    3.3 Electrical Interface - Output..... 6

    3.4 Electrical Features..... 7

    3.5 Aerodynamics..... 7

    3.6 Sound Data..... 8

**4 Environment ..... 8**

    4.1 General..... 8

    4.2 Climatic Requirements ..... 8

**5 Safety ..... 9**

    5.1 Electrical Safety..... 9

    5.2 Approval Tests ..... 9

**6 Reliability ..... 9**

    6.1 General..... 9

## 1 General

Fan type	Fan	
Rotating direction looking at rotor	Counterclockwise	
Airflow direction	Air outlet over struts	
Bearing system	Ball bearing	
Mounting position - shaft	Any	

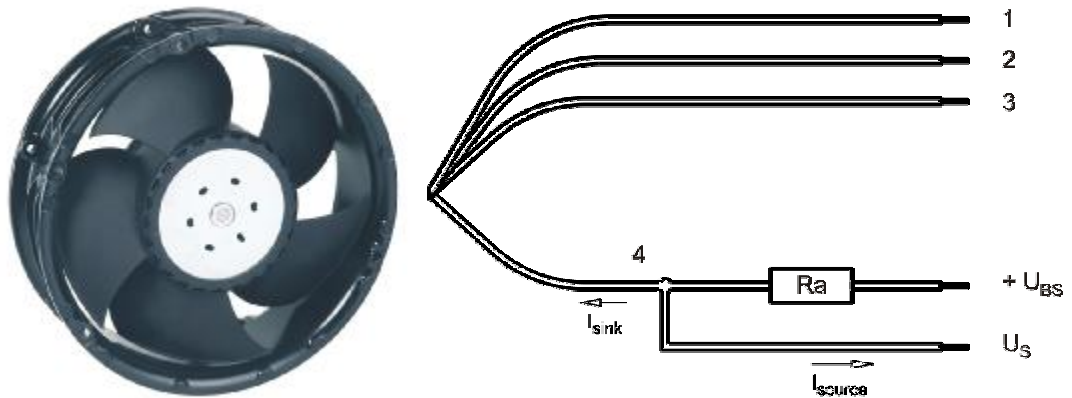
## 2 Mechanics

### 2.1 General

Depth	51,0 mm	
Diameter	172,0 mm	
Mass	0,825 kg	
Housing material	Metal	
Impeller material	Plastic	
Max. torque when mounted across both mounting flanges	Wire outlet corner: 600 Ncm Remaining corners: 600 Ncm	
Screw size	ISO 4762 - M4 degreased, without an additional brace and without washer	

### 2.2 Connections

Electrical connection	Wires	
Lead wire length	L = 365 mm	
Tolerance	+/- 10,0 mm	
Tube length	S = 10 mm	
Tolerance	+/- 2,0 mm	



Wire	Color	Operation	Wire size	Insulation diameter
1	red	+ UB	AWG 22	1,7 mm
2	blue	- GND	AWG 22	1,7 mm
3	violet	PWM	AWG 22	1,7 mm
4	white	Tacho	AWG 22	1,7 mm

The auxiliaries shown on the schematic diagram (which are required for the intended use) are not part of our delivery.

### 3 Operating Data

#### 3.1 Electrical Interface - Input

Control input	PWM
---------------	-----

#### Features

Input type	Open collector	
PWM - Frequency		1 kHz - 20 kHz typical: 2 kHz

<b>Characteristics</b>	<table border="1" style="margin: 10px auto;"> <caption>Speed vs PWM Data</caption> <thead> <tr> <th>PWM [%]</th> <th>Speed [1/min]</th> </tr> </thead> <tbody> <tr><td>0</td><td>0</td></tr> <tr><td>10</td><td>~700</td></tr> <tr><td>20</td><td>~1300</td></tr> <tr><td>30</td><td>~1900</td></tr> <tr><td>40</td><td>~2500</td></tr> <tr><td>50</td><td>~3100</td></tr> <tr><td>60</td><td>~3700</td></tr> <tr><td>70</td><td>~4300</td></tr> <tr><td>80</td><td>~4900</td></tr> <tr><td>90</td><td>5000</td></tr> <tr><td>100</td><td>5000</td></tr> </tbody> </table>	PWM [%]	Speed [1/min]	0	0	10	~700	20	~1300	30	~1900	40	~2500	50	~3100	60	~3700	70	~4300	80	~4900	90	5000	100	5000
PWM [%]	Speed [1/min]																								
0	0																								
10	~700																								
20	~1300																								
30	~1900																								
40	~2500																								
50	~3100																								
60	~3700																								
70	~4300																								
80	~4900																								
90	5000																								
100	5000																								
<b>Schematics</b>	<p style="text-align: center;">Lüfter / Fan      Kunde / Customer</p>																								

PWM input transistor requirements:  
 $U_{CEmax.} \Rightarrow 12 \text{ V}$ ;  $I_{\text{Sink max.}} > 5 \text{ mA}$ ;  $U_{CEsat.} < 0,15 \text{ V}$

### 3.2 Electrical Operating Data

Measurement conditions: Normal air density = 1,2 kg/m<sup>3</sup>; Temperature 23°C +/- 3°C; Motor axis horizontal; warm-up time before measuring 5 minutes (unless otherwise specified). In the intake and outlet area should not be any solid obstruction within 0,5 m.

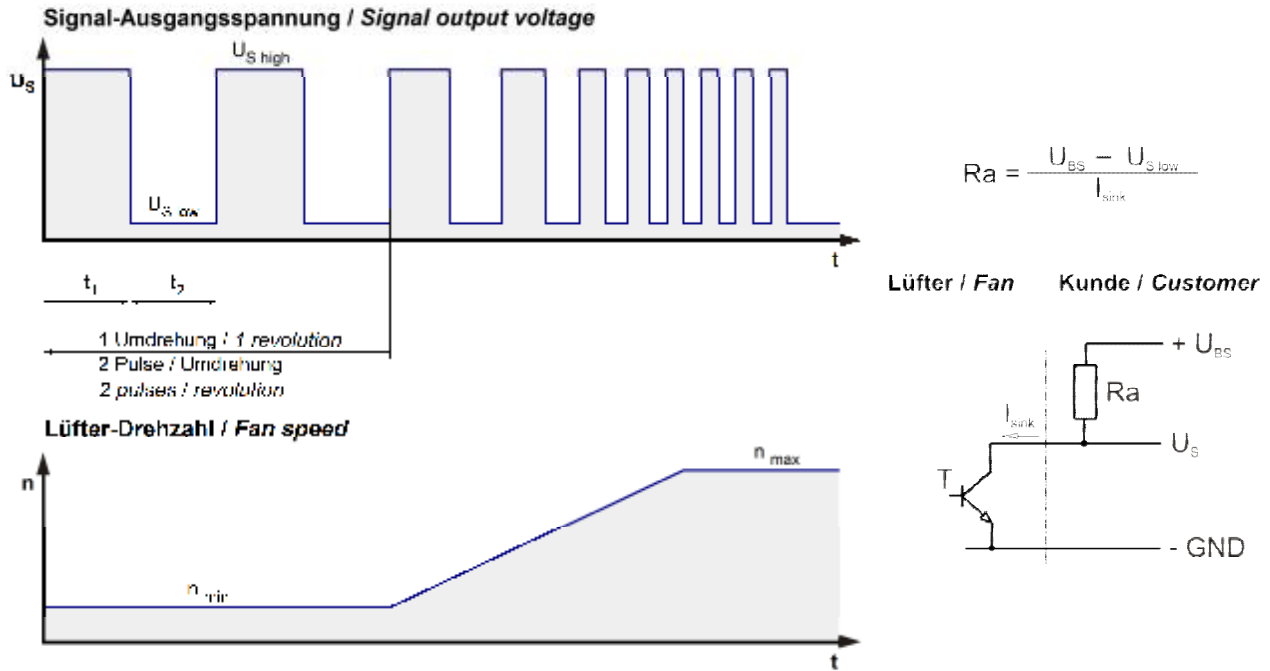
$\Delta p = 0$ : corresp. to free air flow (see chapter aerodynamics)  
 I: corresp. to arithm. mean current value

Name	Condition
PWM 0001	PWM: 100 %; f: 2 kHz

Features	Condition	Symbol	Values		
Voltage range		U	16,0 V		30,0 V
Nominal voltage		$U_N$		24,0 V	
Power consumption	$\Delta p = 0$	P	16,5 W	30,0 W	32 W
Tolerance	PWM 0010		+/- 15 %	+/- 10 %	+/- 10 %
Current consumption	$\Delta p = 0$	I	1.040 mA	1.250 mA	1.050 mA
Tolerance	PWM 0010		+/- 15 %	+/- 10 %	+/- 10 %
Speed	$\Delta p = 0$	n	3.900 1/min	5.000 1/min	5.000 1/min
Tolerance	PWM 0010		+/- 10 %	+/- 5 %	+/- 5 %

3.3 Electrical Interface - Output

Tacho type	/2 (open collector)
------------	---------------------

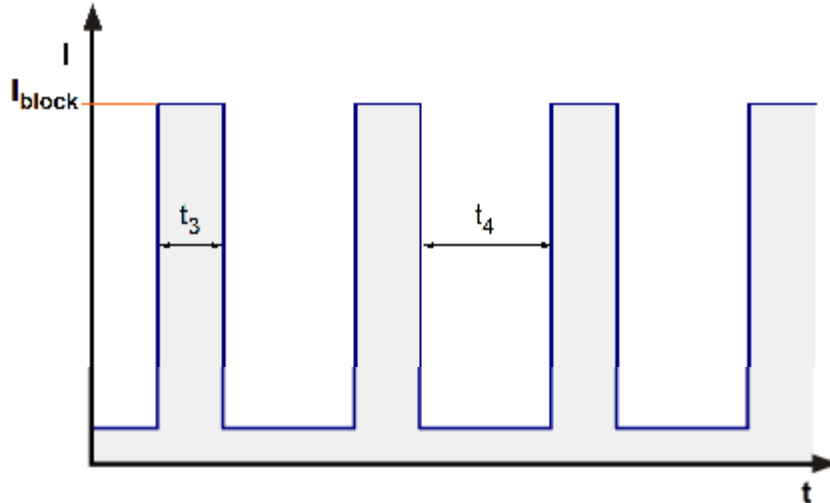


Features	Note	Values
Tacho operating voltage	$U_{BS}$	$\leq 32,0 \text{ V}$
Tacho signal Low	$U_{S,low}$	$I_{sink}: 2 \text{ mA}$ $\leq 0,4 \text{ V}$
Tacho signal High	$U_{S,high}$	$I_{source}: 0 \text{ mA}$ $\leq 32,0 \text{ V}$
Maximum sink current	$I_{sink}$	$\leq 20 \text{ mA}$
External resistor	External resistor $R_a$ from $U_{BS}$ to $U_S$ required. All voltages measured to GND.	
Tacho frequency	$(2 \times n) / 60$	
Tacho isolated from motor	No	
Slew rate		$\Rightarrow 0,5 \text{ V/us}$

$n$  = revolutions per minute (1/min)

### 3.4 Electrical Features

Electronic function	Speed-Controlled	
Reversed polarity protection	Rectifying diode	
Max. residual current at $U_N$	$I_F \leq 5 \text{ mA}$	
Locked rotor protection	Auto restart	
Locked rotor current at $U_N$	$I_{\text{block}}$ approx. 850 mA	
Clock signal at locked rotor	$t_3 / t_4$ typical: 0,5 s / 7,0 s	



### 3.5 Aerodynamics

Measurement conditions:

Measured with a double chamber intake rig acc. to DIN EN ISO 5801.

Normal air density = 1,2 kg/m<sup>3</sup>; Temperature 23°C +/- 3°C;

In the intake and outlet area should not be any solid obstruction within 0,5 m. Motor shaft horizontal.

The information is only valid under the specified test conditions and may be changed by the installation conditions. If there are deviations from the standard test conditions, the characteristic values must be checked under the installed conditions.

a.) Operation condition:

5.000 1/min at free air flow	PWM 100 %; f: 2 kHz		
------------------------------	---------------------	--	--

Max. free-air flow ( $\Delta p = 0 / \dot{V} = \text{max.}$ )	545,0 m <sup>3</sup> /h	
Max. static pressure ( $\Delta p = \text{max.} / \dot{V} = 0$ )	410 Pa	

### 3.6 Sound Data

Measurement conditions: Sound pressure level: 1 meter distance between microphone and the air intake.  
 Sound power level: Acc. to DIN 45635 part 38 (ISO 10302)  
 Measured in a semianchoic chamber with a background noise level of  $L_p(A) < 5 \text{ dB}(A)$   
 For further measurement conditions see chapter aerodynamics.

a.) Operation condition:

5.000 1/min at free air flow	PWM 100 %; f: 2 kHz		
------------------------------	---------------------	--	--

Optimal operating point	450,0 m <sup>3</sup> /h @ 117 Pa	
Sound power level at the optimal operating point	6,9 bel(A)	
Sound pressure level at free air flow, measured in rubber bands	58,0 dB(A)	

## 4 Environment

### 4.1 General

Min. permitted ambient temperature TU min.	-20 °C	
Max. permitted ambient temperature TU max.	65 °C	
Min. permitted storage temperature TL min.	-40 °C	
Max. permitted storage temperature TL max.	80 °C	

### 4.2 Climatic Requirements

Humidity requirements	humid heat, constant; according to DIN EN 60068-2-78, 14 days	
Water exposure	None	
Dust requirements	None	
Salt fog requirements	None	

Permitted application area:

The product is intended for use in sheltered rooms with controlled temperature and controlled humidity. Directly exposure to water must be avoided.

Pollution degree 1 (according DIN EN 60664-1)

There is either no pollution or it occurs only dry, non-conductive pollution. The pollution has no negative impact.

Please require severity levels and specification parameters from the responsible development departments.



## 5 Safety

### 5.1 Electrical Safety

Dielectric strength DIN EN 60950 (VDE 0805) and DIN EN 60335 (VDE 0700) A.) Type test Measuring conditions: After 48h of storage at 95% R.H. and 25°C. No arcing or breakdown is allowed! All connections together to ground. B.) Routine test Measuring conditions: At indoor climate. No arcing or breakdown is allowed! All connections together to ground.	500 VAC / 1 Min.  850 VDC / 1 Sec.	
Isolation resistance Measuring conditions: After 48h of storage at 95% R.H. and 25°C measured with U=500 VDC for 1 min.	RI > 10 MOhm	
Clearance / creepage distance	1,0 mm / 1,2 mm	
Protection class	III	

### 5.2 Approval Tests

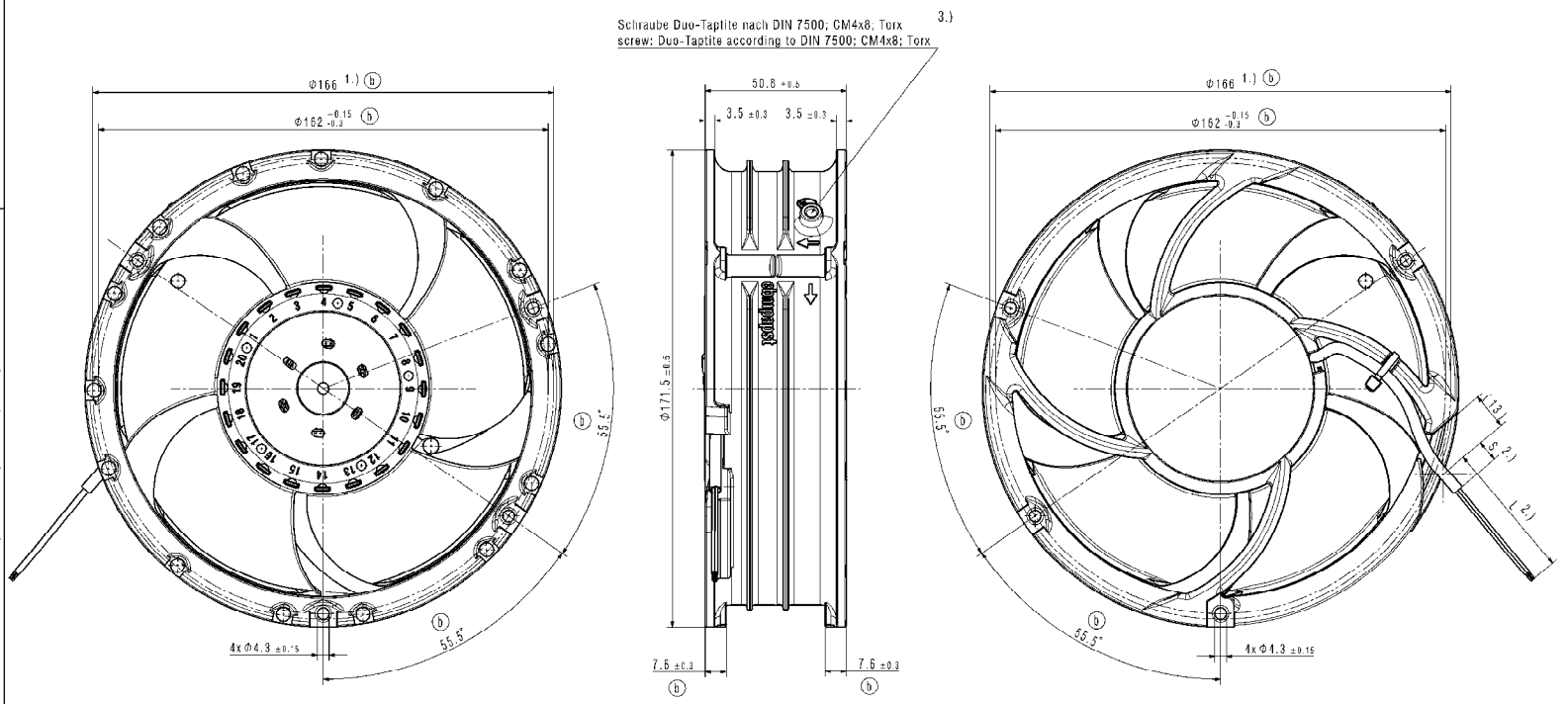
CE	EC Declaration of Conformity	Yes
EAC	Eurasian Conformity	Yes
UL	Underwriters Laboratories	Yes / UL507, Electric Fans
VDE	Association for Electrical, Electronic and Information Technologies	Yes / Approval acc. to EN 60950 (VDE 0805) - Information technology equipment
CSA	Canadian Standards Association	Yes / C22.2 No. 113 Fans and Ventilators
CCC	China Compulsory Certification	Not applicable

## 6 Reliability

### 6.1 General

Life expectancy L10 at TU = 40 °C	77.500 h	
Life expectancy L10 at TU max.	42.500 h	
Life expectancy L10 acc. to IPC 9591 at TU = 40 °C	130.000 h	

Zeichnung nach DIN ISO 10301 Blatt 1  
 Drawing according to DIN ISO 10301 Part 1  
 1st sheet of the part. 1: 1 ratio of the representation to a fully made or design



- 1.) Maße aus Montageausschnitt
- 2.) Anzahl und Länge der Litzen/Schlauch siehe Produktspezifikation
- 3.) Nur wenn in Stückliste enthalten

- Axialspiel der Kugellager mit Feder spielfrei gelagert

- 1.) measures of mounting cut out
- 2.) length an number of wires/tube see product specification
- 3.) only if it is included in bill of material

- ball bearing without clearance by a pre-load spring

BE Einzelstück 	Part No. / Zeichn.-Nr.	ZUS. Gezeichnet ZUS. Gezeichnet (Signature)	GE. Gezeichnet GE. Gezeichnet (Signature)	Teilname / Material:		Menge / Anzahl:
				KENN- / Code:		Bemerkung / Note:
Zeichnung / Abbildung:				Stückliste / Drawing No.:		Ex. / Bsp. / Applikat:
Abgleichdimensionen / See tolerances:				eingezeichnet (Signature)	freigezeichnet (Signature)	Datum / Date:
				eingezeichnet (Signature)	freigezeichnet (Signature)	Datum / Date: