

Product Data Sheet 7114 NH

ebmpapst

The engineer's choice



7114 NH

INDEX

1 General..... 3

2 Mechanics..... 3

2.1 General..... 3

2.2 Connections..... 3

3 Operating Data 4

3.1 Electrical Operating Data 4

3.2 Electrical Features..... 4

3.3 Aerodynamics..... 6

3.4 Sound Data..... 7

4 Environment 7

4.1 General..... 7

4.2 Climatic Requirements 7

5 Safety 8

5.1 Electrical Safety..... 8

5.2 Approval Tests 8

6 Reliability 8

6.1 General..... 8

1 General

Fan type	Fan	
Rotating direction looking at rotor	Counterclockwise	
Airflow direction	Air outlet over struts	
Bearing system	Ball bearing	
Mounting position - shaft	Any	

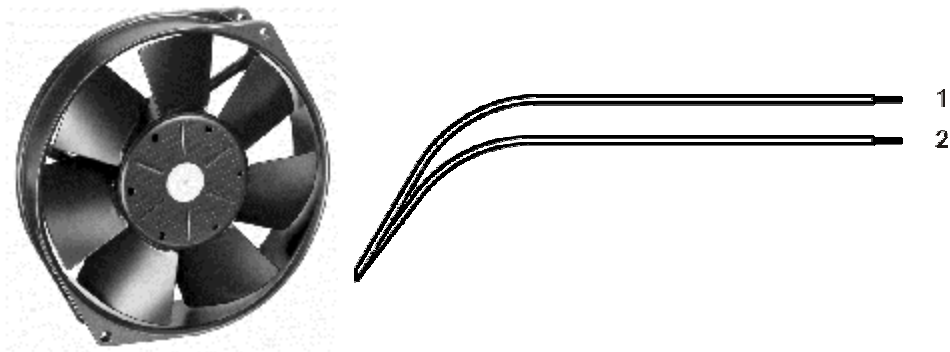
2 Mechanics

2.1 General

Depth	38,0 mm	
Diameter	150,0 mm	
Mass	0,620 kg	
Housing material	Metal	
Impeller material	Metal	
Max. torque when mounted across both mounting flanges Screw size	Wire outlet corner: 460 Ncm Remaining corners: 460 Ncm ISO 4762 - M4 degreased, without an additional brace and without washer	

2.2 Connections

Electrical connection	Wires	
Lead wire length	L = 365 mm	
Tolerance	+ - 10,0 mm	



Wire	Color	Operation	Wire size	Insulation diameter
1	red	+ UB	AWG 22	1,7 mm
2	black	- GND	AWG 22	1,7 mm

3 Operating Data

3.1 Electrical Operating Data

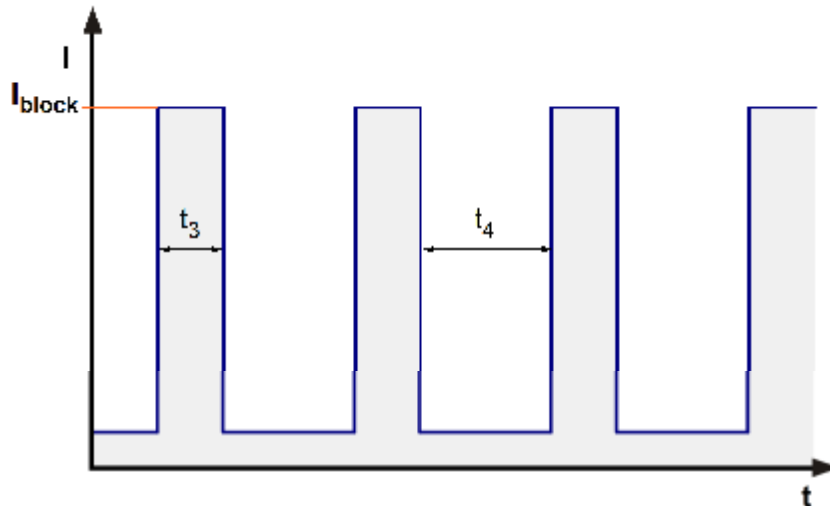
Measurement conditions: Normal air density = 1,2 kg/m³; Temperature 23°C +/- 3°C; Motor axis horizontal; warm-up time before measuring 5 minutes (unless otherwise specified). In the intake and outlet area should not be any solid obstruction within 0,5 m.

$\Delta p = 0$: corresp. to free air flow (see chapter aerodynamics)
 I: corresp. to arithm. mean current value

Features	Condition	Symbol	Values		
Voltage range		U	12,0 V		26,5 V
Nominal voltage		U_N		24 V	
Power consumption	$\Delta p = 0$	P	3,6 W	19,0 W	22,0 W
Tolerance	0010		+/- 17,5 %	+/- 12,5 %	+/- 15 %
Current consumption	$\Delta p = 0$	I	300 mA	790 mA	830 mA
Tolerance	0010		+/- 17,5 %	+/- 12,5 %	+/- 15 %
Speed	$\Delta p = 0$	n	1.750 1/min	3.350 1/min	3.600 1/min
Tolerance	0010		+/- 12,5 %	+/- 7,5 %	+/- 10 %

3.2 Electrical Features

Electronic function	None	
Reversed polarity protection	Rectifying diode	
Max. residual current at U_N	$I_F \leq 10$ mA	
Locked rotor protection	Auto restart	
Locked rotor current at U_N	I_{block} approx. 1.000 mA	
Clock signal at locked rotor	t_3 / t_4 typical: 0,5 s / 5,0 s	



Internal Fuse:

Littlefuse NANO2(R) FUSE; Slow-Blow 452 Series; 4 A (Art.-Nr.: 0452004.MRL)

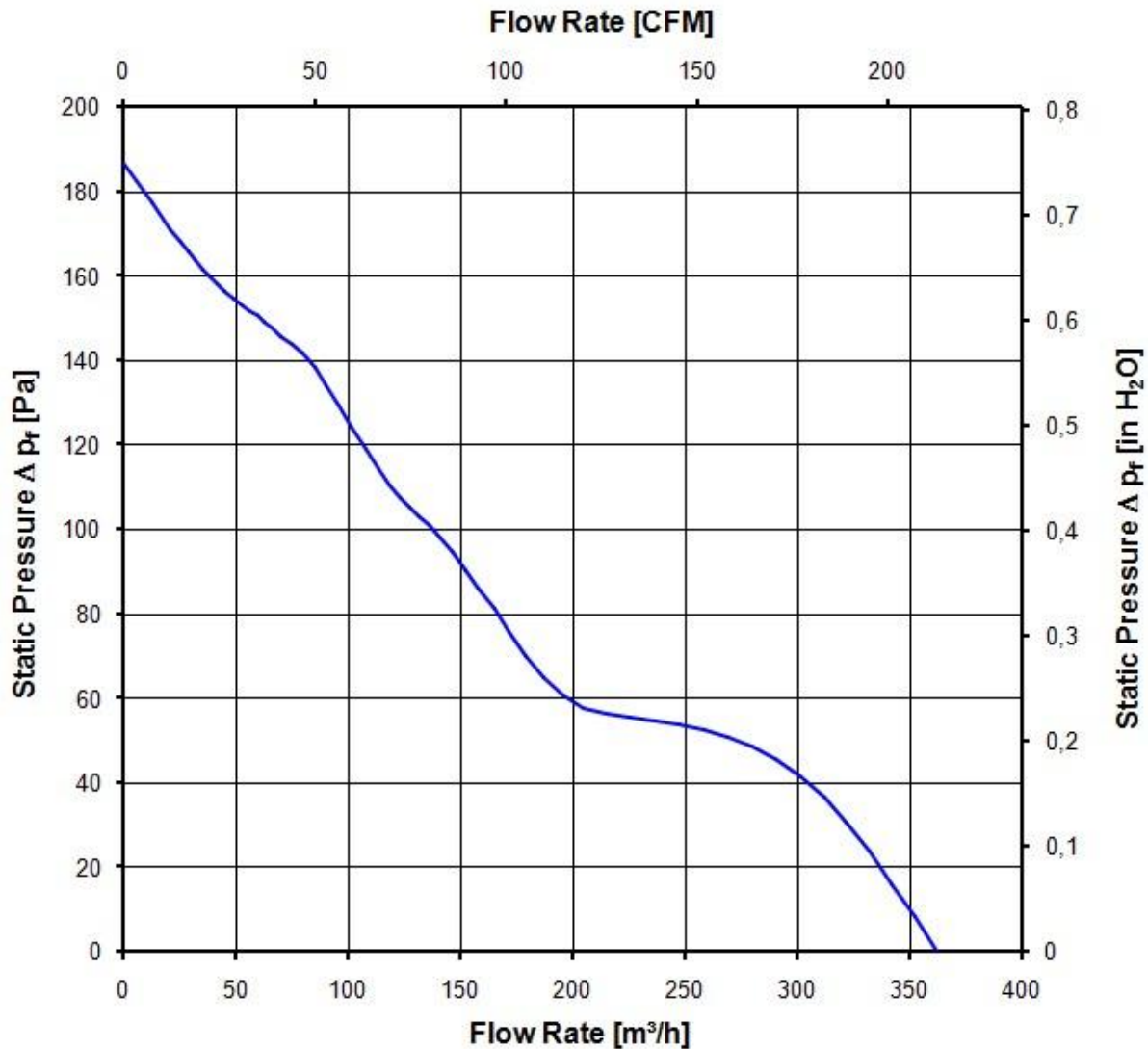
Max. current when decelerate at Unom. aprox 2.800 mA peak.

3.3 Aerodynamics

Measurement conditions: Measured with a double chamber intake rig acc. to DIN EN ISO 5801.
 Normal air density = 1,2 kg/m³; Temperature 23°C +/- 3°C;
 In the intake and outlet area should not be any solid obstruction within 0,5 m. Motor shaft horizontal.
 The information is only valid under the specified test conditions and may be changed by the installation conditions. If there are deviations from the standard test conditions, the characteristic values must be checked under the installed conditions.

a.) Operation condition:

3.350 1/min at free air flow		
Max. free-air flow ($\Delta p = 0 / \dot{V} = \text{max.}$)	360,0 m ³ /h	
Max. static pressure ($\Delta p = \text{max.} / \dot{V} = 0$)	185 Pa	



3.4 Sound Data

Measurement conditions: Sound pressure level: 1 meter distance between microphone and the air intake.
 Sound power level: Acc. to DIN 45635 part 38 (ISO 10302)
 Measured in a semianchoic chamber with a background noise level of $L_p(A) < 5 \text{ dB(A)}$
 For further measurement conditions see chapter aerodynamics.

a.) Operation condition:

3.350 1/min at free air flow

Optimal operating point	295,0 m ³ /h @ 40 Pa	
Sound power level at the optimal operating point	6,7 bel(A)	
Sound pressure level at free air flow, measured in rubber bands	58,0 dB(A)	

4 Environment

4.1 General

Min. permitted ambient temperature TU min.	-25 °C	
Max. permitted ambient temperature TU max.	72 °C	
Min. permitted storage temperature TL min.	-40 °C	
Max. permitted storage temperature TL max.	80 °C	

4.2 Climatic Requirements

Humidity requirements	humid heat, constant; according to DIN EN 60068-2-78, 14 days	
Water exposure	None	
Dust requirements	None	
Salt fog requirements	None	

Permitted application area:

The product is intended for use in sheltered rooms with controlled temperature and controlled humidity. Directly exposure to water must be avoided.

Pollution degree 1 (according DIN EN 60664-1)

There is either no pollution or it occurs only dry, non-conductive pollution. The pollution has no negative impact.

Please require severity levels and specification parameters from the responsible development departments.

5 Safety

5.1 Electrical Safety

Dielectric strength DIN EN 60950 (VDE 0805) and DIN EN 60335 (VDE 0700) A.) Type test Measuring conditions: After 48h of storage at 95% R.H. and 25°C. No arcing or breakdown is allowed! All connections together to ground. B.) Routine test Measuring conditions: At indoor climate. No arcing or breakdown is allowed! All connections together to ground.	500 VAC / 1 Min. 850 VDC / 1 Sec.	
Isolation resistance Measuring conditions: After 48h of storage at 95% R.H. and 25°C measured with U=500 VDC for 1 min.	RI > 10 MOhm	
Clearance / creepage distance	1,0 mm / 1,2 mm	
Protection class	III	

5.2 Approval Tests

CE	EC Declaration of Conformity	Yes
EAC	Eurasian Conformity	Yes
UL	Underwriters Laboratories	Yes / UL507, Electric Fans
VDE	Association for Electrical, Electronic and Information Technologies	Yes / Approval acc. to EN 60950 (VDE 0805) - Information technology equipment
CSA	Canadian Standards Association	Yes / C22.2 No. 113 Fans and Ventilators
CCC	China Compulsory Certification	Not applicable

6 Reliability

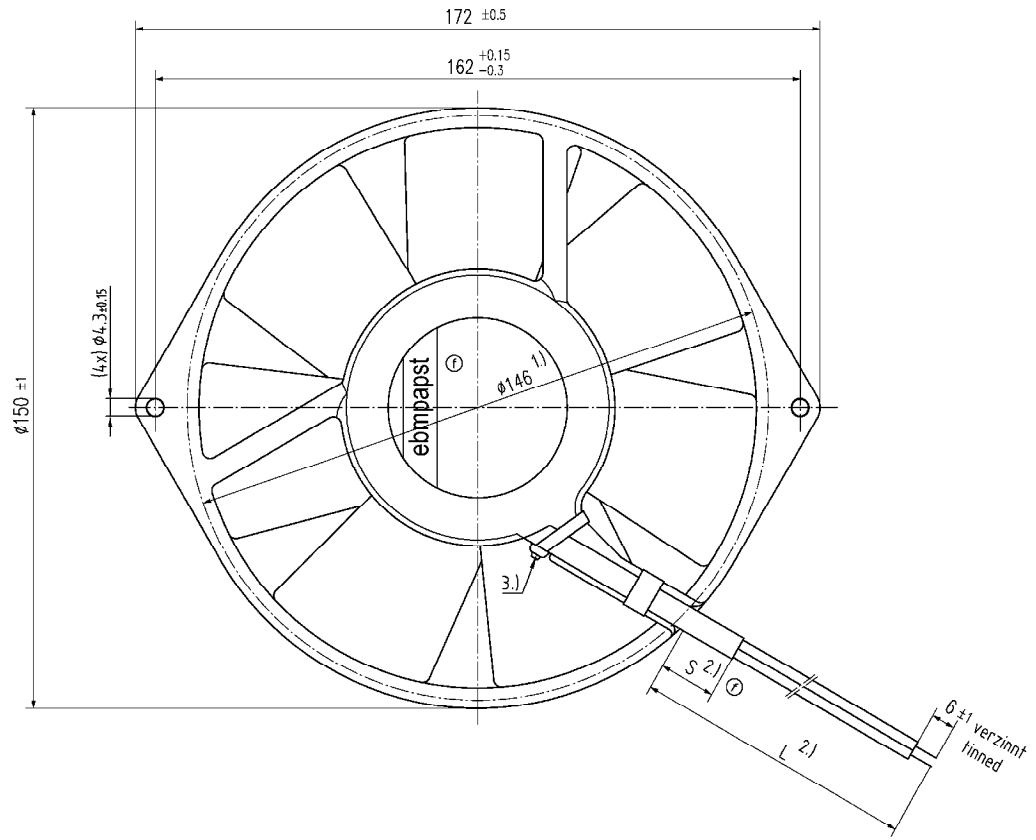
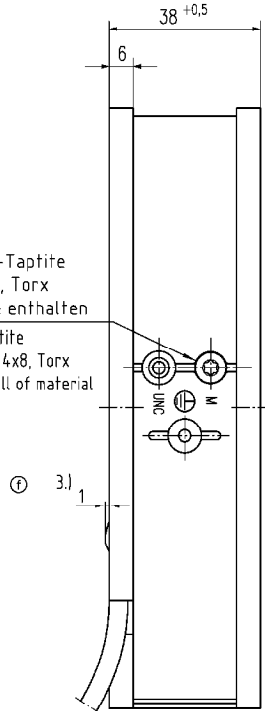
6.1 General

Life expectancy L10 at TU = 40 °C	75.000 h	
Life expectancy L10 at TU max.	35.000 h	
Life expectancy L10 acc. to IPC 9591 at TU = 40 °C	127.500 h	

Copyright of this document, including all its contents, remains the property of ebmpapst. It is not to be reproduced, stored in a retrieval system, or transmitted in any form or by any means, electronic, mechanical, photocopying, recording, or otherwise, without the prior written permission of ebmpapst.

Shaded areas in this drawing are not to scale. Refer to the technical drawing for details.

Erdungsschraube Duo-Tapfite nach DIN 7500, CM 4x8, Torx nur wenn in Stückliste enthalten
 grounding screw Duo-Tapfite according to DIN 7500, CM 4x8, Torx only if contained in sub-bill of material



- 1.) Maße für Montageausschnitt
 - 2.) Anzahl und Länge der Litzen siehe Produktspezifikation
 - 3.) Überstand durch Kabelbinder. Kabelbinder nur wenn in Stückliste enthalten.
 - Axialspiel der Kugellager mit Feder spielfrei verspannt.
- 1.) dimension for mounting cut-out
 2.) length and number of wires see design specification
 3.) Overhang because of cable tie. Cable tie only if contained in BOM.
 - ball bearing without axial clearance by a pre-loaded spring

SAP-Status/State		Artik.Nr./Charge No.		ebmpapst		Werkstoff/Material:		Volumen/Volume (mm ³):	
				Artik.Nr./Charge No.				Gewicht/Mass (g):	
				CAD-Umgebung/ CAD-Environment		Artikel/Title			
Tolerierung/Tolerances:				Zeich.-Nr./Drawing.-No.:		Ers./Zchg./Replaces:			
Allgemeintoleranzen/Gen. tolerances:				ebmpapst		Datum/Type of Document		Tabelle(n)/Sheet/Page	
				ebm-papst St. Leonen GmbH & Co. KG		Index/Box		Formel/Size	
						F		Missel/Scale	