

7400 ES

# AC axial compact fan



## ebm-papst St. Georgen GmbH & Co. KG

Hermann-Papst-Str. 1  
D-78112 St. Georgen  
Phone +49 (0) 7724 81-0  
Fax +49 (0) 7724 81-1309  
info2@de.ebmpapst.com  
www.ebmpapst.com

## Nominal data

Type	7400 ES	
Phase		1~
Nominal voltage	VAC	115
Frequency	Hz	60
Speed (rpm)	min <sup>-1</sup>	3050
Power consumption	W	46.0
Min. ambient temperature	°C	-25
Max. ambient temperature	°C	80
Air flow	m <sup>3</sup> /h	425
Sound power level	B	6.9
Sound pressure level	dB(A)	62

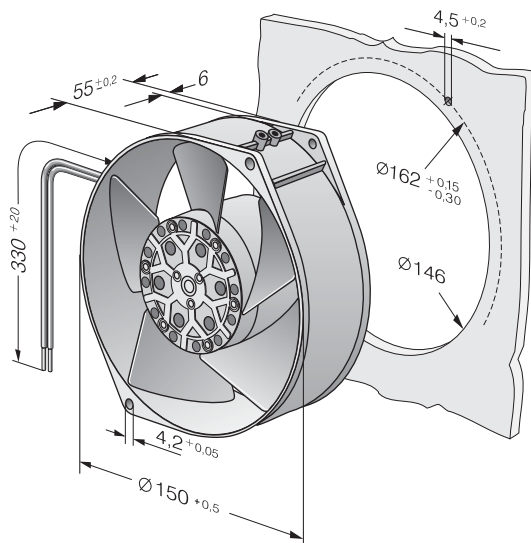
ml = Max. load · me = Max. efficiency · fa = Free air · cs = Customer specification · ce = Customer equipment  
Subject to change



**Technical description**

<b>Weight</b>	1.1 kg
<b>Dimensions</b>	Ø 150 x 55 mm
<b>Impeller material</b>	Sheet steel, painted black
<b>Housing material</b>	Die-cast aluminum
<b>Airflow direction</b>	Intake over struts
<b>Direction of rotation</b>	Counterclockwise, viewed toward rotor
<b>Storage</b>	Ball bearing
<b>Service life L10 at 40 °C</b>	50000 h
<b>Service life L10 at maximum temperature</b>	24000 h
<b>Cable</b>	To 2 leads. Wire ends with splice. Grounding lug for M4 x 8.
<b>Motor protection</b>	Protected from overload by thermal switch
<b>Approval</b>	VDE, CSA, UL, CE

## Product drawing



## Curves: Air performance

