

Product Data Sheet 8214 J/2H4P

ebmpapst

The engineer's choice



8214 J/2H4P

INDEX

1 General 3

2 Mechanics 3

 2.1 General 3

 2.2 Connections 3

3 Operating Data 4

 3.1 Electrical Interface - Input 4

 3.2 Electrical Operating Data 5

 3.3 Electrical Interface - Output 6

 3.4 Electrical Features 7

 3.5 Aerodynamics 8

 3.6 Sound Data 9

4 Environment 9

 4.1 General 9

 4.2 Climatic Requirements 9

5 Safety 10

 5.1 Electrical Safety 10

 5.2 Approval Tests 10

6 Reliability 10

 6.1 General 10

1 General

| | | |
|-------------------------------------|------------------------|--|
| Fan type | Fan | |
| Rotating direction looking at rotor | Counterclockwise | |
| Airflow direction | Air outlet over struts | |
| Bearing system | Ball bearing | |
| Mounting position - shaft | Any | |

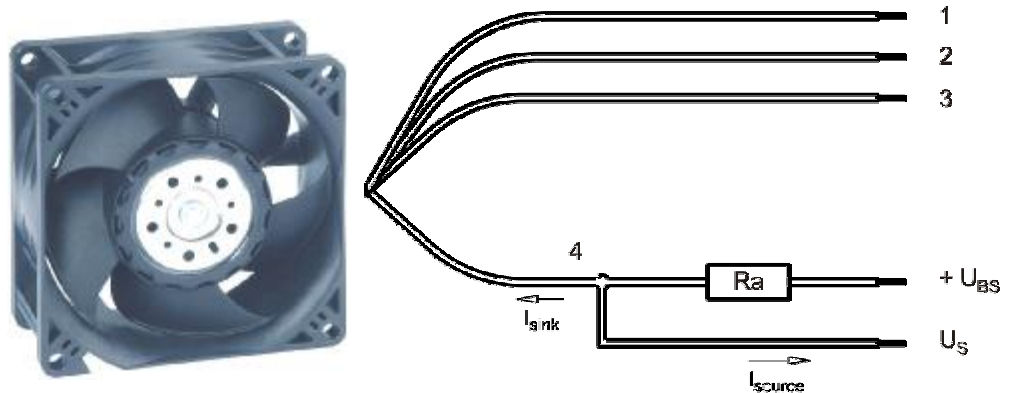
2 Mechanics

2.1 General

| | | |
|---|---|--|
| Width | 80,0 mm | |
| Height | 80,0 mm | |
| Depth | 38,0 mm | |
| Mass | 0,210 kg | |
| Housing material | Plastic | |
| Impeller material | Plastic | |
| Max. torque when mounted across both mounting flanges | Wire outlet corner: 50 Ncm Remaining corners: 110 Ncm | |
| Screw size | ISO 4762 - M4 degreased, without an additional brace and without washer | |

2.2 Connections

| | | |
|-----------------------|-------------|--|
| Electrical connection | Wires | |
| Lead wire length | L = 310 mm | |
| Tolerance | +/- 10,0 mm | |
| Wire size (AWG) | 22 | |
| Insulation diameter | 1,30 mm | |



| Wire | Color | Operation |
|------|--------|-----------|
| 1 | red | + UB |
| 2 | blue | - GND |
| 3 | violet | PWM |
| 4 | white | Tacho |

The auxiliaries shown on the schematic diagram (which are required for the intended use) are not part of our delivery.

3 Operating Data

3.1 Electrical Interface - Input

| | |
|---------------|-----|
| Control input | PWM |
|---------------|-----|

Features

| | | |
|-----------------|----------------|----------------|
| Input type | Open collector | |
| PWM - Frequency | | 1 kHz - 30 kHz |

| <p>Characteristics</p> | <table border="1"> <caption>Speed vs PWM Data</caption> <thead> <tr> <th>PWM [%]</th> <th>Speed [1/min]</th> </tr> </thead> <tbody> <tr><td>0</td><td>0</td></tr> <tr><td>10</td><td>2000</td></tr> <tr><td>20</td><td>4000</td></tr> <tr><td>30</td><td>6000</td></tr> <tr><td>40</td><td>8000</td></tr> <tr><td>50</td><td>10000</td></tr> <tr><td>60</td><td>12000</td></tr> <tr><td>70</td><td>14000</td></tr> <tr><td>80</td><td>16000</td></tr> <tr><td>90</td><td>18000</td></tr> <tr><td>100</td><td>18000</td></tr> </tbody> </table> | PWM [%] | Speed [1/min] | 0 | 0 | 10 | 2000 | 20 | 4000 | 30 | 6000 | 40 | 8000 | 50 | 10000 | 60 | 12000 | 70 | 14000 | 80 | 16000 | 90 | 18000 | 100 | 18000 |
|-------------------------------|--|---------|---------------|---|---|----|------|----|------|----|------|----|------|----|-------|----|-------|----|-------|----|-------|----|-------|-----|-------|
| PWM [%] | Speed [1/min] | | | | | | | | | | | | | | | | | | | | | | | | |
| 0 | 0 | | | | | | | | | | | | | | | | | | | | | | | | |
| 10 | 2000 | | | | | | | | | | | | | | | | | | | | | | | | |
| 20 | 4000 | | | | | | | | | | | | | | | | | | | | | | | | |
| 30 | 6000 | | | | | | | | | | | | | | | | | | | | | | | | |
| 40 | 8000 | | | | | | | | | | | | | | | | | | | | | | | | |
| 50 | 10000 | | | | | | | | | | | | | | | | | | | | | | | | |
| 60 | 12000 | | | | | | | | | | | | | | | | | | | | | | | | |
| 70 | 14000 | | | | | | | | | | | | | | | | | | | | | | | | |
| 80 | 16000 | | | | | | | | | | | | | | | | | | | | | | | | |
| 90 | 18000 | | | | | | | | | | | | | | | | | | | | | | | | |
| 100 | 18000 | | | | | | | | | | | | | | | | | | | | | | | | |
| <p>Schematics</p> | <p>Lüfter / Fan</p> <p>Kunde / Customer</p> <p>+ U_B</p> <p>+ interne Referenz / + internal reference</p> <p>R2</p> <p>R1</p> <p>Eingang / Input</p> <p>C</p> <p>T</p> <p>- GND</p> | | | | | | | | | | | | | | | | | | | | | | | | |

Speed controll: 0... 100 %, PWM-Low < 0,2 V

3.2 Electrical Operating Data

Measurement conditions: Normal air density = 1,2 kg/m³; Temperature 23°C +/- 3°C; Motor axis horizontal; warm-up time before measuring 5 minutes (unless otherwise specified). In the intake and outlet area should not be any solid obstruction within 0,5 m.

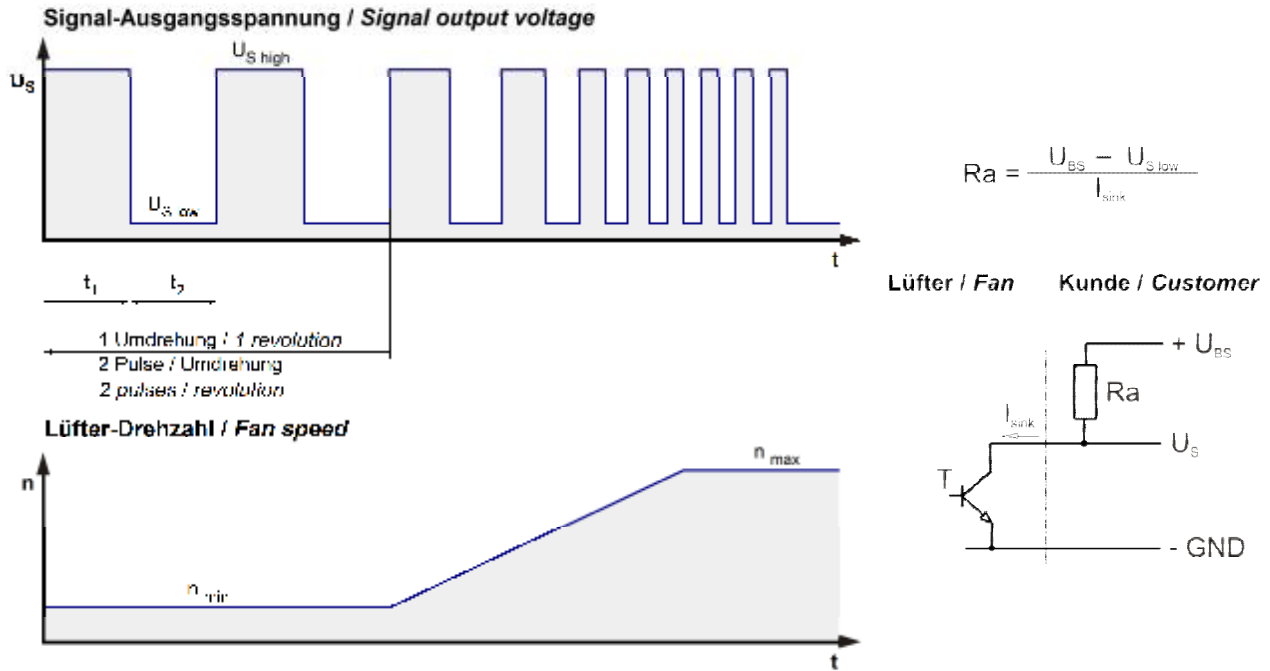
$\Delta p = 0$: corresp. to free air flow (see chapter aerodynamics)
 I: corresp. to arithm. mean current value

| Name | Condition | | |
|----------|-------------|----------|----------|
| PWM 0001 | PWM: 100 %; | f: 1 kHz | f: 5 kHz |

| Features | Condition | Symbol | Values | | |
|------------------------------|----------------|--------|-------------|--------------|--------------|
| Voltage range | | U | 12 V | | 27,6 V |
| Nominal voltage | | U_N | | 24,0 V | |
| Power consumption | $\Delta p = 0$ | P | 8,8 W | 37 W | 39,0 W |
| Tolerance | PWM 0010 | | +/- 17,5 % | +/- 17,5 % | +/- 25,0 % |
| Current consumption | $\Delta p = 0$ | I | 750 mA | 1.550 mA | 1.400 mA |
| Tolerance | PWM 0010 | | +/- 17,5 % | +/- 17,5 % | +/- 25,0 % |
| Speed | $\Delta p = 0$ | n | 8.500 1/min | 14.000 1/min | 14.000 1/min |
| Tolerance | PWM 0010 | | +/- 12,5 % | +/- 7,5 % | +/- 3,0 % |
| Starting current consumption | | | | 6.000 mA | |

3.3 Electrical Interface - Output

| | |
|------------|---------------------|
| Tacho type | /2 (open collector) |
|------------|---------------------|

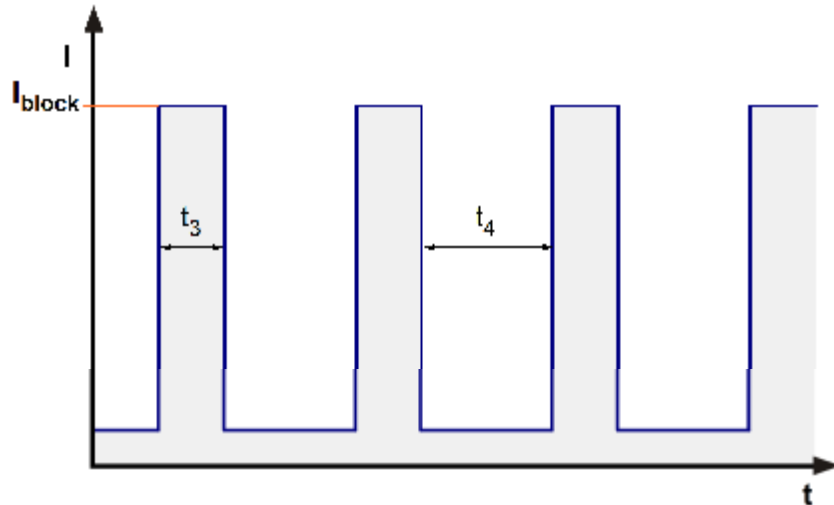


| Features | Note | Values |
|---------------------------|--|---|
| Tacho operating voltage | U_{BS} | $\leq 60,0 \text{ V}$ |
| Tacho signal Low | $U_{S,low}$ | $I_{sink}: 2 \text{ mA}$ $\leq 0,4 \text{ V}$ |
| Tacho signal High | $U_{S,high}$ | $I_{source}: 0 \text{ mA}$ $\leq 60,0 \text{ V}$ |
| Maximum sink current | I_{sink} | $\leq 4 \text{ mA}$ |
| External resistor | External resistor R_a from U_{BS} to U_S required. All voltages measured to GND. | |
| Tacho frequency | $(2 \times n) / 60$ | |
| Tacho isolated from motor | No | |
| Slew rate | | $\Rightarrow 0,5 \text{ V/us}$ |

n = revolutions per minute (1/min)

3.4 Electrical Features

| | | |
|--------------------------------|-------------------------------------|--|
| Electronic function | Speed-Controlled | |
| Reversed polarity protection | Rectifying diode | |
| Max. residual current at U_N | $I_F \leq 150 \mu\text{A}$ | |
| Locked rotor protection | Auto restart | |
| Locked rotor current at U_N | I_{block} approx. 6.000 mA | |
| Clock signal at locked rotor | t_3 / t_4 typical: 0,5 s / 10,0 s | |



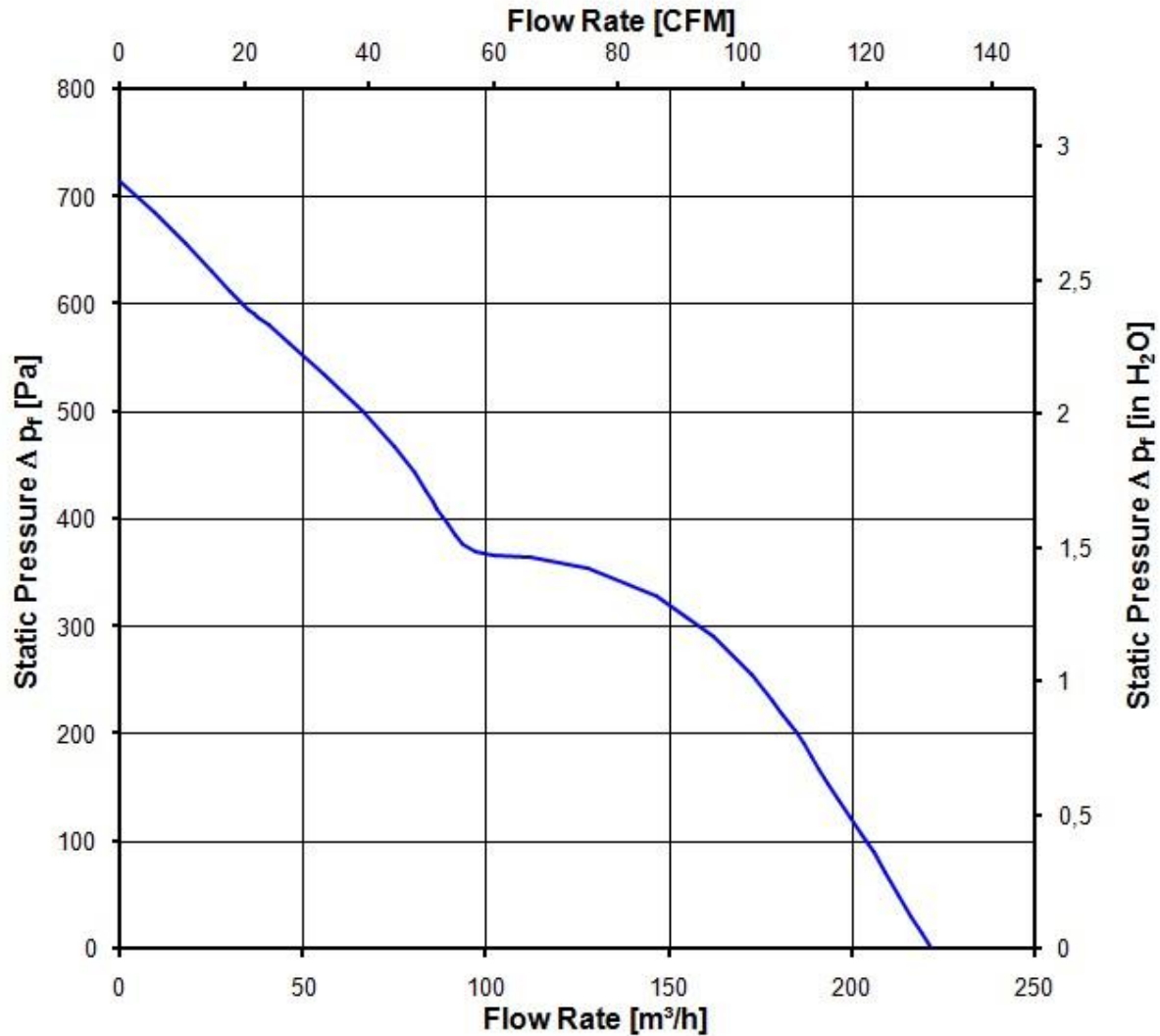
3.5 Aerodynamics

Measurement conditions: Measured with a double chamber intake rig acc. to DIN EN ISO 5801.
 Normal air density = 1,2 kg/m³; Temperature 23°C +/- 3°C;
 In the intake and outlet area should not be any solid obstruction within 0,5 m. Motor shaft horizontal.
 The information is only valid under the specified test conditions and may be changed by the installation conditions. If there are deviations from the standard test conditions, the characteristic values must be checked under the installed conditions.

a.) Operation condition:

| | | | |
|-------------------------------|------------|----------|----------|
| 14.000 1/min at free air flow | PWM 100 %; | f: 1 kHz | f: 5 kHz |
|-------------------------------|------------|----------|----------|

| | |
|---|-------------------------|
| Max. free-air flow ($\Delta p = 0 / \dot{V} = \text{max.}$) | 220,0 m ³ /h |
| Max. static pressure ($\Delta p = \text{max.} / \dot{V} = 0$) | 710 Pa |



3.6 Sound Data

Measurement conditions: Sound pressure level: 1 meter distance between microphone and the air intake.
 Sound power level: Acc. to DIN 45635 part 38 (ISO 10302)
 Measured in a semianchoic chamber with a background noise level of $L_p(A) < 5 \text{ dB(A)}$
 For further measurement conditions see chapter aerodynamics.

a.) Operation condition:

| | | | |
|-------------------------------|------------|----------|----------|
| 14.000 1/min at free air flow | PWM 100 %; | f: 1 kHz | f: 5 kHz |
|-------------------------------|------------|----------|----------|

| | | |
|---|----------------------------------|--|
| Optimal operating point | 135,0 m ³ /h @ 330 Pa | |
| Sound power level at the optimal operating point | 8,0 bel(A) | |
| Sound pressure level at free air flow, measured in rubber bands | 71,0 dB(A) | |

4 Environment

4.1 General

| | | |
|--|--------|--|
| Min. permitted ambient temperature TU min. | -20 °C | |
| Max. permitted ambient temperature TU max. | 70 °C | |
| Min. permitted storage temperature TL min. | -40 °C | |
| Max. permitted storage temperature TL max. | 80 °C | |

4.2 Climatic Requirements

| | | |
|-----------------------|---|--|
| Humidity requirements | humid heat, constant; according to DIN EN 60068-2-78, 14 days | |
| Water exposure | None | |
| Dust requirements | None | |
| Salt fog requirements | None | |

Permitted application area:

The product is intended for use in sheltered rooms with controlled temperature and controlled humidity. Directly exposure to water must be avoided.

Pollution degree 1 (according DIN EN 60664-1)

There is either no pollution or it occurs only dry, non-conductive pollution. The pollution has no negative impact.

Please require severity levels and specification parameters from the responsible development departments.

5 Safety

5.1 Electrical Safety

| | | |
|---|--|--|
| Dielectric strength DIN EN 60950 (VDE 0805) and DIN EN 60335 (VDE 0700) A.) Type test Measuring conditions: After 48h of storage at 95% R.H. and 25°C. No arcing or breakdown is allowed! All connections together to ground. B.) Routine test Measuring conditions: At indoor climate. No arcing or breakdown is allowed! All connections together to ground. | 500 VAC / 1 Min. 850 VDC / 1 Sec. | |
| Isolation resistance Measuring conditions: After 48h of storage at 95% R.H. and 25°C measured with U=500 VDC for 1 min. | RI > 10 MOhm | |
| Clearance / creepage distance | 1,0 mm / 1,2 mm | |
| Protection class | III | |

5.2 Approval Tests

| | | |
|-----|---|---|
| CE | EC Declaration of Conformity | Yes |
| EAC | Eurasian Conformity | Yes |
| UL | Underwriters Laboratories | Yes / UL507, Electric Fans |
| VDE | Association for Electrical, Electronic and Information Technologies | Yes / Approval acc. to EN 60950 (VDE 0805) - Information technology equipment |
| CSA | Canadian Standards Association | Yes / C22.2 No. 113 Fans and Ventilators |
| CCC | China Compulsory Certification | Not applicable |

The approval tests are observed to:

U approval max.:26,4 V @ TU approval max.: 70,0 °C

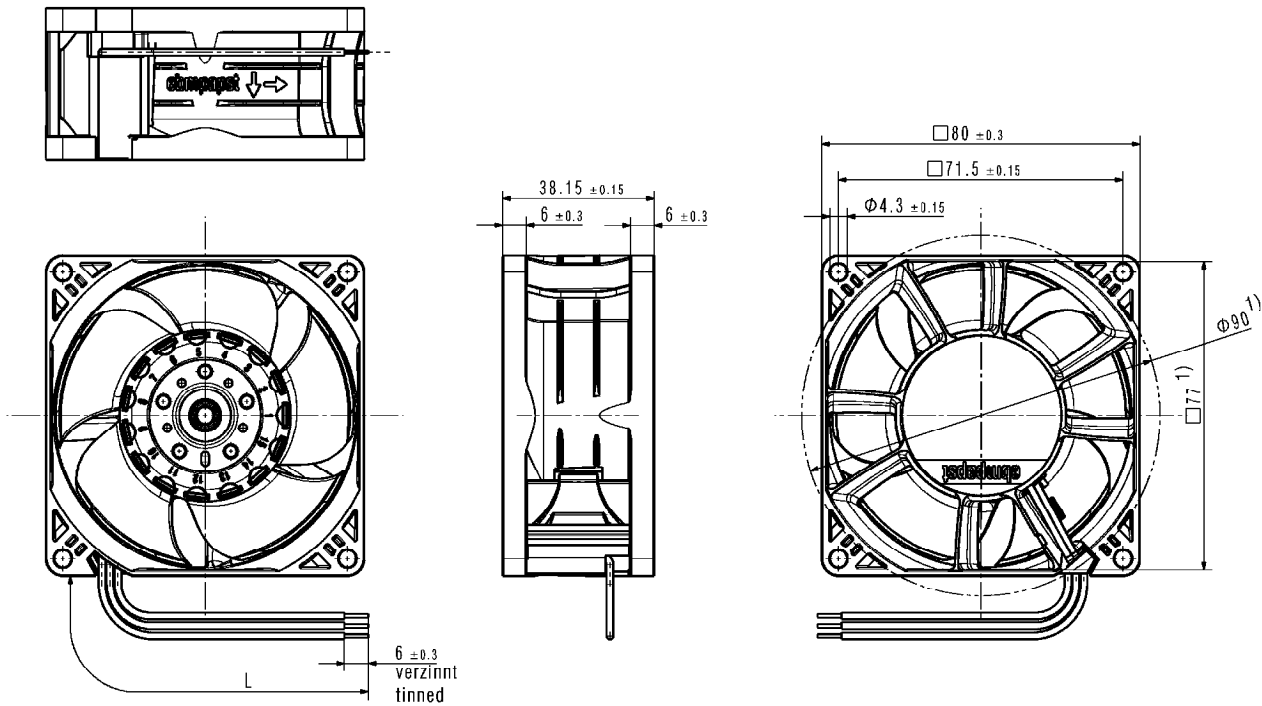
6 Reliability

6.1 General

| | | |
|--|----------|--|
| Life expectancy L10 at TU = 40 °C | 50.000 h | |
| Life expectancy L10 at TU max. | 25.000 h | |
| Life expectancy L10 acc. to IPC 9591 at TU = 40 °C | 85.000 h | |

Nothing of this document, nor doing, is allowed to be used for administration of the current thereof, are
 forbidden without express authority. Offenders are liable to the payment of damages. All rights are reserved
 in the event of the present or a future or the registration of a utility model or design.

Subcontractors need this file for 3D CAD models /
 Refer to production notes for 3D CAD files



1) Maße für Montagewand
 1) dimension for worktop mounting

Laenge und Anzahl der Litzen siehe Produktspezifikation
 length and number of the wires, look at the produkt specification

Kein Axialspiel bei Kugellager durch Federausgleich
 no axial clearance of ball bearings conditional on a pre-load spring

| | | | | | |
|--|--|--|--|--|--|
| Datum / State / Document State CATEX-Version / CATEX-Version | | CAD-Umgebung / CAD-Environment 0609/0609 CAD1000 | | Material / Material: Volumen / Volume (cm³): | |
| Zeichnung / Drawing No. 3D-Referenzmodell / 3D-Referenzmodell | | Datum / Name | | Gewicht / Mass (kg): | |
| Toleranzangabe / Tolerances: Raub-/ Drawn: Sperr-/ Locked: Freig./ Released: | | Artikel / Title: | | Zeichn.-Nr. / Drawing No.: | |
| Allgemeine Toleranzen / Gen. Tolerances: ebmpapst ebm-papst St. Georgen GmbH & Co. KG | | Zugsch.-Nr. / Drawing No.: | | Ersatz-Zugsch. / Replaces: | |
| Dokumenttyp / Type of Document | | Zeichnungsart / (EURT/Type) | | Index / Index: Format / Size: Maßstab/Scale | |