

Product Data Sheet AC3200JLU

ebmpapst

The engineer's choice



AC3200JLU

INDEX

1 General 3

2 Mechanics 3

2.1 General..... 3

2.2 Connections..... 3

3 Operating Data 4

3.1 Electrical Interface - Input..... 4

3.2 Electrical Operating Data 4

3.3 Electrical Features 5

3.4 Aerodynamics..... 6

3.5 Sound Data..... 8

4 Environment..... 8

4.1 General..... 8

4.2 Climatic Requirements 9

5 Safety..... 10

5.1 Electrical Safety 10

5.2 Approval Tests..... 10

6 Reliability..... 10

6.1 General..... 10

1 General

Fan type	Fan
Rotating direction looking at rotor	Counterclockwise
Airflow direction	Air outlet over struts
Bearing system	Ball bearing
Mounting position - shaft	Any

2 Mechanics**2.1 General**

Width	92,0 mm	
Height	92,0 mm	
Depth	72,0 mm	
Diameter	0,0 mm	
Mass	0,325 kg	
Housing material	Plastic	
Impeller material	Plastic	
Max. torque when mounted across both mounting flanges	Wire outlet corner: 30 Ncm Remaining corners: 30 Ncm	
Screw size	ISO 4762 - M4 degreased, without an additional brace and without washer	

2.2 Connections

Electrical connection	Wires	
Lead wire length	L = 450 mm	
Tolerance	+ - 10,0 mm	
Tube length	S = 15 mm	
Tolerance	+ - 5 mm	
Wire size (AWG)	22	
Insulation diameter		
Plug	See drawing	
Contact	See drawing	



Wire	Color	Operation
1	black	L1
2	black	L2

3 Operating Data

3.1 Electrical Interface - Input

External voltage supply for input and output signals must be SELV conform.

Control input	None
---------------	------

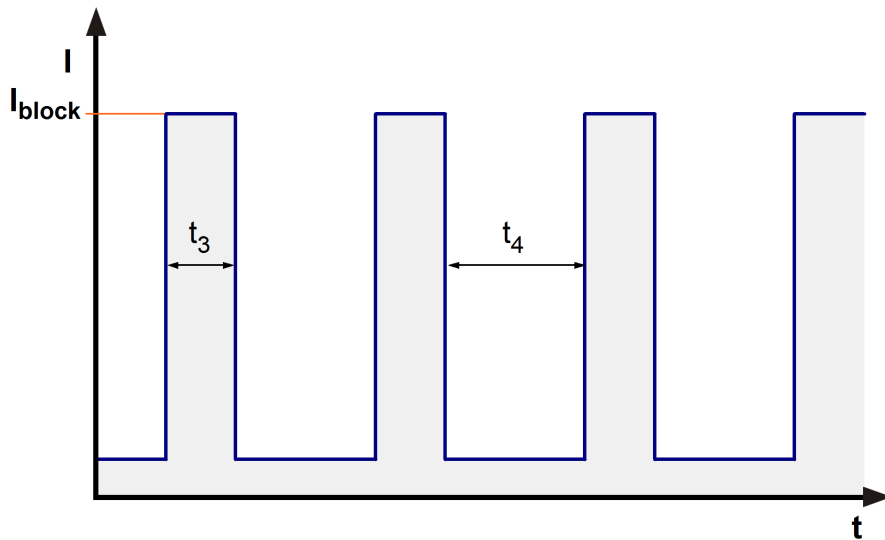
Features

3.2 Electrical Operating Data

Features	Condition	Symbol	Values			
Voltage range Tolerance		U	85 V			265 V
Nominal voltage		U_N		115 V / 230 V	115 V / 230 V	
Frequency		f	50 Hz / 60 Hz			
Power consumption Tolerance	$\Delta p = 0$	P	2,6 W +- 20 %			
Current consumption Tolerance	$\Delta p = 0$	I_{RMS}	49 mA +- 20 %	35 mA +- 22,5 %	25 mA +- 20 %	23 mA +- 22,5 %
Speed Tolerance	$\Delta p = 0$	n	3.360 1/min +- 10 %			

3.3 Electrical Features

Electronic function	None	
Locked rotor protection	Auto restart	
Clock signal at locked rotor	typical: 0,5 s / 2,75 s	



3.4 Aerodynamics

Measurement conditions:

Measured with a double chamber intake rig acc. to DIN EN ISO 5801.

Normal air density = 1,2 kg/m³; Temperature 23°C +/- 3°C;

In the intake and outlet area should not be any solid obstruction within 0,5 m. Motor shaft horizontal.

The information is only valid under the specified test conditions and may be changed by the installation conditions. If there are deviations from the standard test conditions, the characteristic values must be checked under the installed conditions. Power consumption of the fan motor when operating at normal voltage is shown. Depending on the operating conditions of the application, the power input may be higher.

a) Operation condition:

3.360 1/min at free air flow

Frequency: 50 Hz

Nominal voltage: 115 V / 230 V

Max. free-air flow ($\Delta p = 0 / \dot{v} = \text{max.}$)	70 m ³ /h
Max. static pressure ($\Delta p = \text{max.} / \dot{v} = 0$)	70 Pa

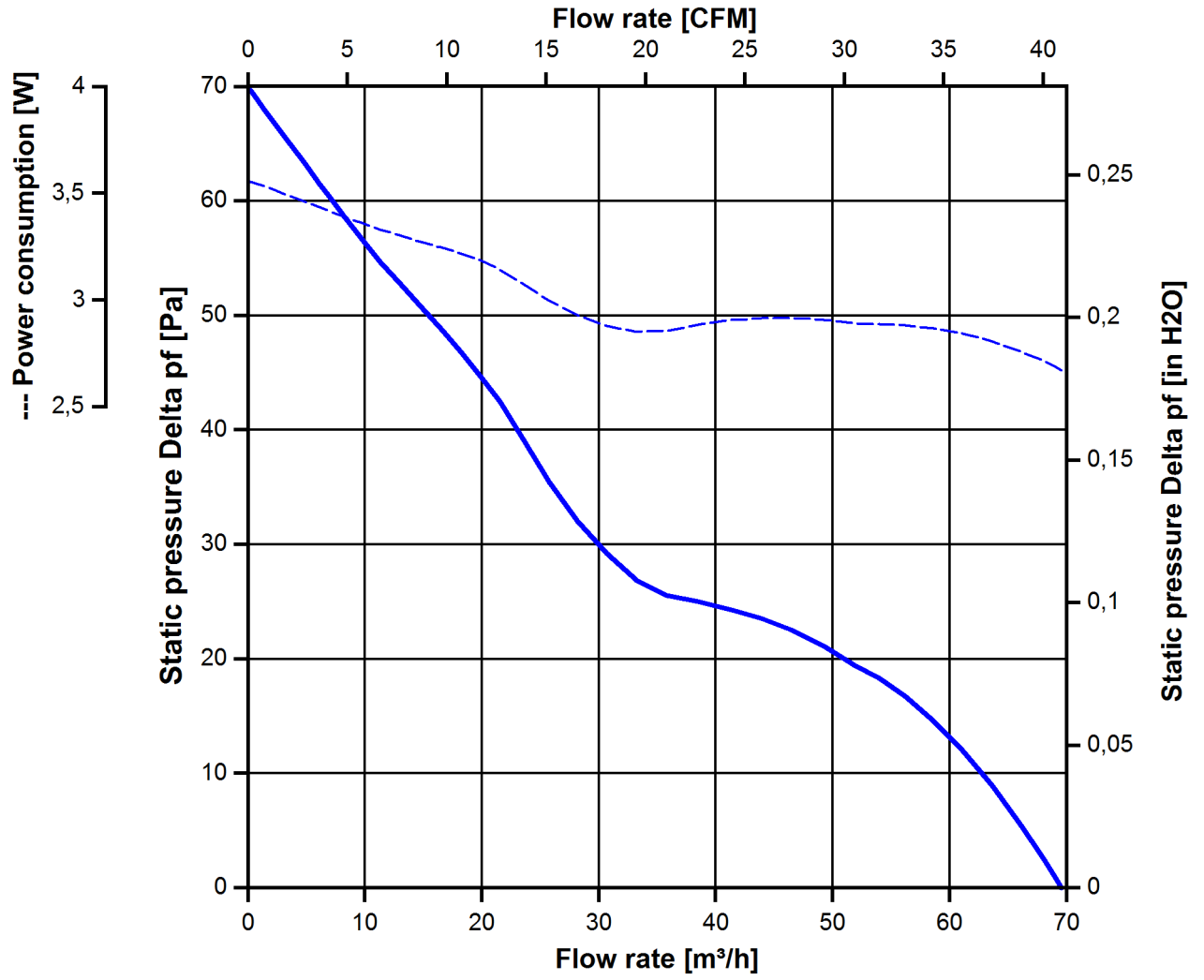
b) Operation condition:

3.360 1/min at free air flow

Frequency: 60 Hz

Nominal voltage: 115 V / 230 V

Max. free-air flow ($\Delta p = 0 / \dot{v} = \text{max.}$)	70 m ³ /h
Max. static pressure ($\Delta p = \text{max.} / \dot{v} = 0$)	70 Pa



3.5 Sound Data

Measurement conditions: Sound pressure level: 1 meter distance between microphone and the air intake.
 Sound power level: According to DIN 45635 Part 38 (ISO 10302)
 Measured in a semianchoic chamber with a background noise level of $L_p(A) < 5 \text{ dB(A)}$
 For further measurement conditions see chapter aerodynamics.

a) Operation condition:
 3.360 1/min at free air flow Frequency: 50 Hz Nominal voltage: 115 V / 230 V

Optimal operating point	54 m ³ /h @ 18 Pa	
Sound power level at the optimal operating point	4,5 bel(A)	
Sound pressure level at free air flow, measured in rubber bands	36 dB(A)	

b) Operation condition:
 3.360 1/min at free air flow Frequency: 60 Hz Nominal voltage: 115 V / 230 V

Optimal operating point	54 m ³ /h @ 18 Pa	
Sound power level at the optimal operating point	4,5 bel(A)	
Sound pressure level at free air flow, measured in rubber bands	36 dB(A)	

4 Environment

4.1 General

Min. permitted ambient temperature TU min.	-20 °C	
Max. permitted ambient temperature TU max.	70 °C	
Min. permitted storage temperature TL min.	-40 °C	
Max. permitted storage temperature TL max.	80 °C	

4.2 Climatic Requirements

Humidity requirements	humid temperature, cyclic; according to DIN EN 60068-2-38, 10 cycle and condensation water check; according to DIN EN ISO 6270-2, 14 days	
Water exposure	Splash water check IPX4; according to DIN EN 60529 VDE 0470, not certified	
Dust requirements	Dust check IP5X; according to DIN EN 60529 VDE 0470, not certified	
Salt fog requirements	None	

Permitted application area:

The product is for the use in partial sheltered rooms or open, roofed areas. Direct exposure to water is allowed provided that this does not prevent the normal operation. Saline ambient conditions must be avoided.

Pollution degree 3 (according DIN EN 60664-1)

It occurs conductive pollution or dry non-conductive pollution which becomes conductive due to condensation.

5 Safety

5.1 Electrical Safety

A verification of thermal conditions (normal and abnormal operation) as well as the protection against electric shock, ingress of solid foreign objects and water has to be done in conjunction with the appliance.

Test voltage HV type test	1500 V
Unit test voltage	VAC
Time type test HV	1 s
Insulation resistance	RI > 10 MOhm
Protection class	built-in fan

5.2 Approval Tests

CE	EC Declaration of Conformity	Yes
EAC	Eurasian Conformity	Yes
UL	Underwriters Laboratories	No
VDE	Association for Electrical, Electronic and Information Technologies	No
CSA	Canadian Standards Association	No
CCC	China Compulsory Certification	Not applicable

According to the guidelines on the application of Directive 2006/95/EC, chapter III: Scope of the "low voltage" directive, paragraph: Are "components" included in the scope? the following has to be applied:

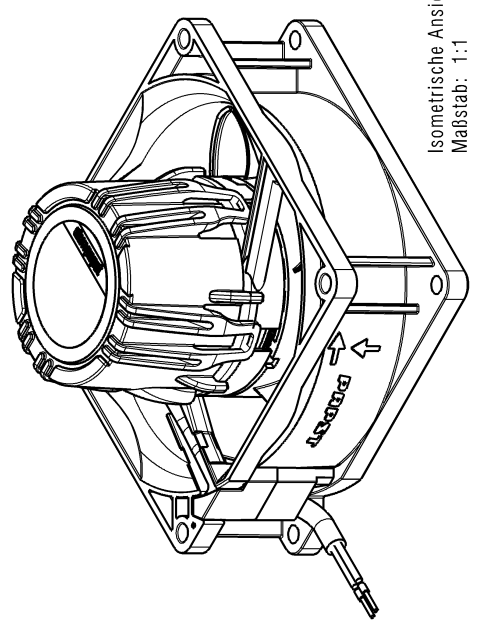
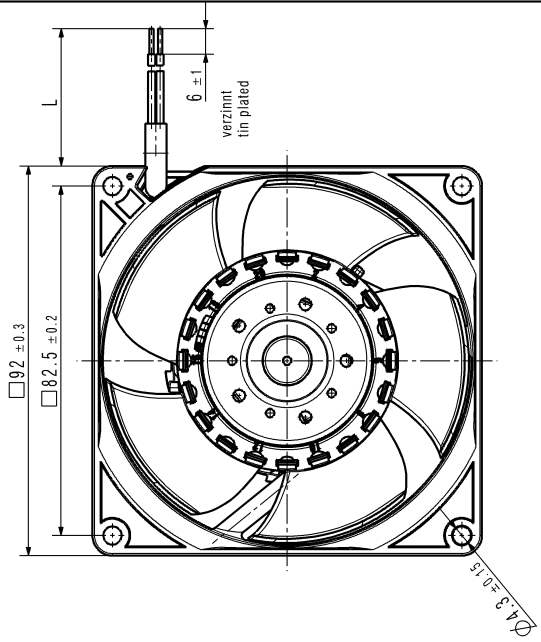
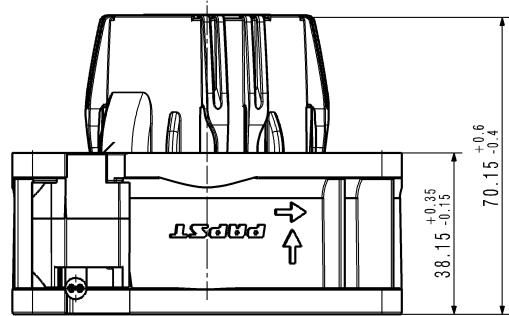
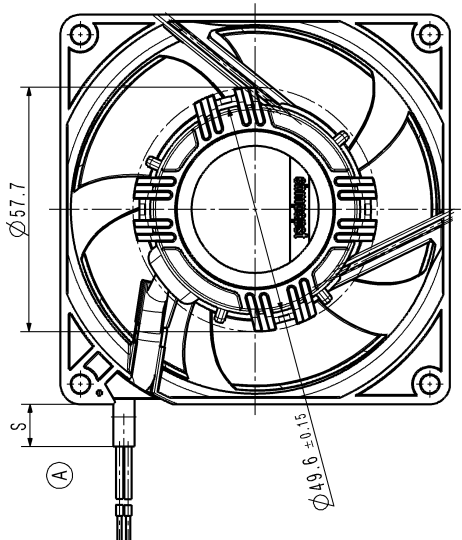
However, some types of electrical devices, designed and manufactured for being uses as basic components to be incorporated into other electrical equipment, are such that their safety to a very large extent depends on how they are integrated into the final product and the overall characteristics of the final product. These basic components include electronic and certain other components.

Taking into account these objectives of the "Low Voltage" Directive, such basic components, the safety of which can only, to a very large extend, be assessed taking into account, how they are incorporated and for which a risk assessment cannot be undertaken, then they are not covered as such by the Directive. In particular, they must not be CE marked unless covered by other Community legislation that requires CE marking.

6 Reliability

6.1 General

Life expectancy L10 at TU = 40 °C	70.000 h	
Life expectancy L10 at TU max.	35.000 h	
Life expectancy L10 acc. to IPC 9591 at TU = 40 °C	117. 500 h	



Isometrische Ansicht
Maßstab: 1:1

Anzahl und Länge der Litzen (L) sowie Schlauchlänge (S) siehe Produktspezifikation
length (L) and number of wires and length (S) of tube see design specification

Axialspiel bei - Kugellagerung : 0 (Federspannung)
axial clearance by - Ball bearings : 0 (Spring-tension)

SW-Steuerleiste	Mod.-Nr./ Design-No.	CATIA System-Version/ CAD-Entwurf	Col. Information CAD-Entwurf	Material	Volumen (cm ³) Volume (in. in ³)
Toleranzung / Tolerances:		Datei / Name		Arbeits- / Titel:	
		Bezug/ Base	Erzeugnis/ Product	Zoll-Nr. / Drawing No.	
Allgemeintoleranzen / gen. Tolerances:					
			Zeichn.-Typ. / Type of Document		Zeichn.-Skala / Drawing Scale
ebmpapst St. Georgen GmbH & Co. KG			Form- / Skizze / Format / Sketch		Material/Skala

Copyright of this document, and giving it others and the use or communication of the contents thereof, are forbidden without express authority. Offenders are liable to the payment of damages. All rights are reserved. Refer to production number DIM 150 16016 headless. Schützwerk nach DIN ISO 150 16016 headless.