

Product Data Sheet AC 6200 NMU

**ebmpapst**

The engineer's choice



AC 6200 NMU

INDEX

**1 General ..... 3**

**2 Mechanics ..... 3**

    2.1 General..... 3

    2.2 Connections..... 3

**3 Operating Data ..... 4**

    3.1 Electrical Interface - Input..... 4

    3.2 Electrical Operating Data ..... 4

    3.3 Electrical Features ..... 4

    3.4 Aerodynamics..... 5

    3.5 Sound Data..... 7

**4 Environment..... 7**

    4.1 General..... 7

    4.2 Climatic Requirements ..... 8

**5 Safety..... 9**

    5.1 Electrical Safety ..... 9

    5.2 Approval Tests ..... 9

**6 Reliability..... 9**

    6.1 General..... 9

**1 General**

Fan type	Fan
Rotating direction looking at rotor	Counterclockwise
Airflow direction	Air outlet over struts
Bearing system	Ball bearing
Mounting position - shaft	Any

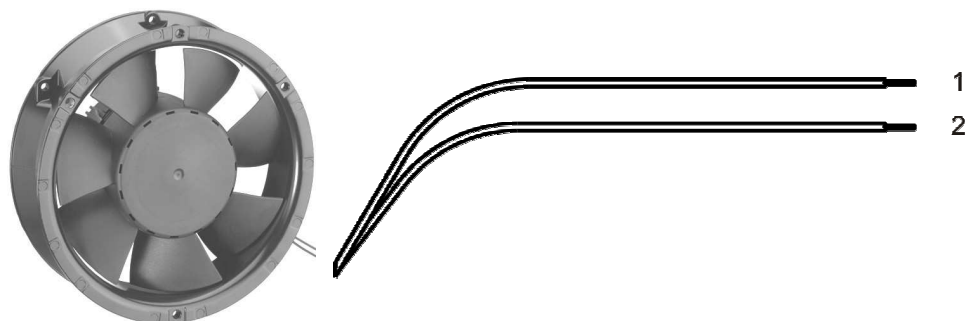
**2 Mechanics**

**2.1 General**

Width	0 mm	
Height	0 mm	
Depth	84 mm	
Diameter	172 mm	
Mass	0,970 kg	
Housing material	Metal	
Impeller material	Plastic	
Max. torque when mounted across both mounting flanges	Wire outlet corner: 600 Ncm Remaining corners: 600 Ncm	
Screw size	ISO 4762 - M4 degreased, without an additional brace and without washer	

**2.2 Connections**

Electrical connection	Wires	
Lead wire length	L = 450 mm	
Tolerance	+ - 10 mm	
Tube length	S = 10 mm	
Tolerance	+ - 5 mm	
Wire size (AWG)	22	
Insulation diameter		
Plug	See drawing	
Contact	See drawing	



Wire	Color	Operation
1	black	L
2	black	N

### 3 Operating Data

#### 3.1 Electrical Interface - Input

External voltage supply for input and output signals must be SELV conform.

Control input	None
---------------	------

#### Features

#### 3.2 Electrical Operating Data

Features	Condition	Symbol	Values			
Voltage range Tolerance		U	85 V			265 V
Nominal voltage		$U_N$		115 V / 230 V	115 V / 230 V	
Frequency		f	50 Hz / 60 Hz			
Power consumption Tolerance	$\Delta p = 0$	P	11,5 W +- 20 %			
Current consumption Tolerance	$\Delta p = 0$	$I_{RMS}$	255 mA +- 20 %	95 mA +- 25 %	105 mA +- 20 %	84 mA +- 25 %
Speed Tolerance	$\Delta p = 0$	n	2.850 1/min +- 10 %			

#### 3.3 Electrical Features

Electronic function	None	
Locked rotor protection	PWM	

### 3.4 Aerodynamics

Measurement conditions:

Measured with a double chamber intake rig acc. to DIN EN ISO 5801.

Normal air density = 1,2 kg/m<sup>3</sup>; Temperature 23°C +/- 3°C;

In the intake and outlet area should not be any solid obstruction within 0,5 m. Motor shaft horizontal.

The information is only valid under the specified test conditions and may be changed by the installation conditions. If there are deviations from the standard test conditions, the characteristic values must be checked under the installed conditions.

a) Operation condition:

2.850 1/min at free air flow

Frequency: 50 Hz

Nominal voltage: 115 V / 230 V

Max. free-air flow ( $\Delta p = 0 / \dot{v} = \text{max.}$ )	325,0 m <sup>3</sup> /h
Max. static pressure ( $\Delta p = \text{max.} / \dot{v} = 0$ )	145 Pa

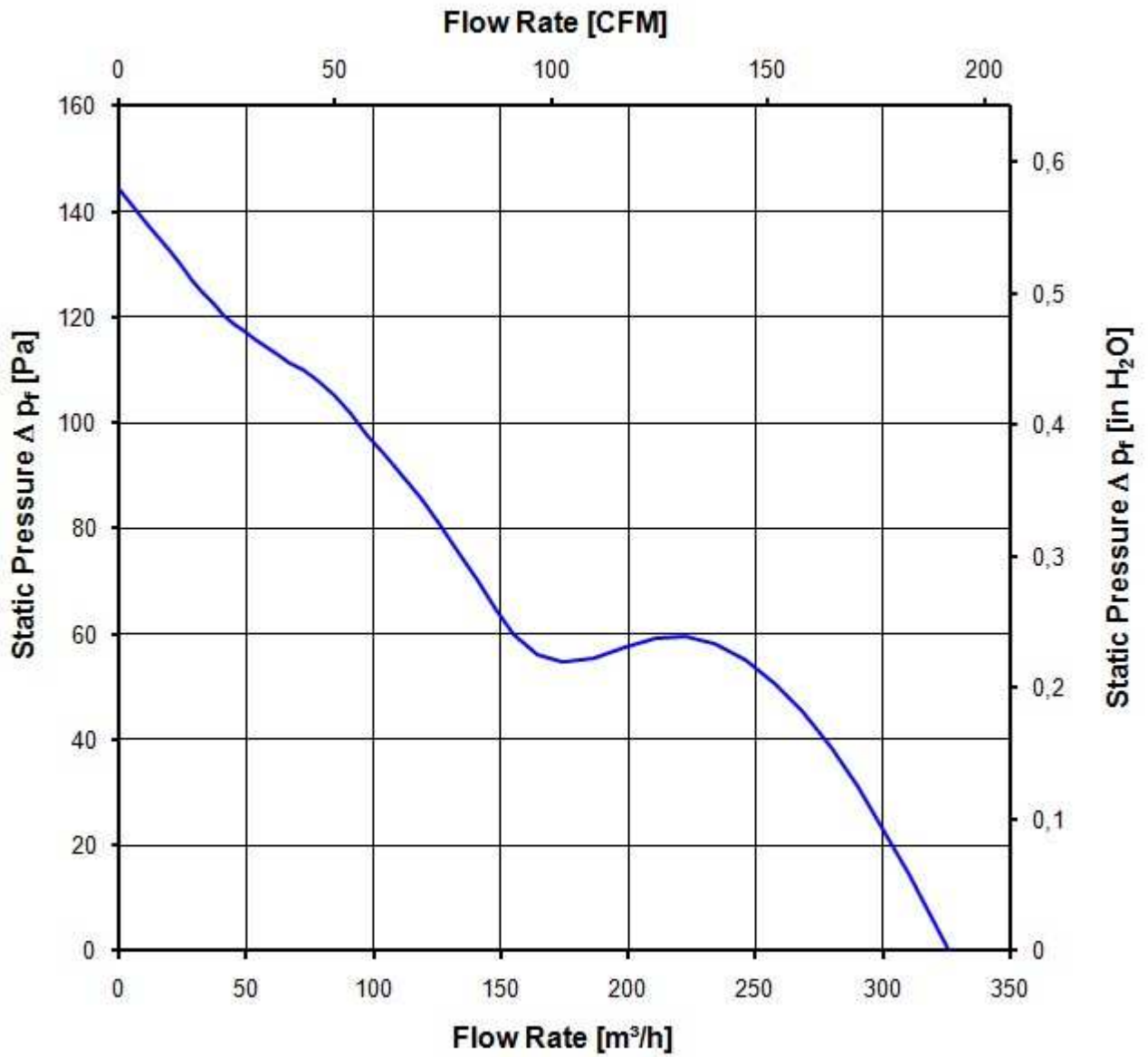
b) Operation condition:

2.850 1/min at free air flow

Frequency: 60 Hz

Nominal voltage: 115 V / 230 V

Max. free-air flow ( $\Delta p = 0 / \dot{v} = \text{max.}$ )	325,0 m <sup>3</sup> /h
Max. static pressure ( $\Delta p = \text{max.} / \dot{v} = 0$ )	145 Pa



### 3.5 Sound Data

Measurement conditions: Sound pressure level: 1 meter distance between microphone and the air intake.  
 Sound power level: Acc. to DIN 45635 part 38 (ISO 10302)  
 Measured in a semianchoic chamber with a background noise level of  $L_p(A) < 5 \text{ dB}(A)$   
 For further measurement conditions see chapter aerodynamics.

a) Operation condition: 2.850 1/min at free air flow      Frequency: 50 Hz      Nominal voltage: 115 V / 230 V

Optimal operating point	255,0 m <sup>3</sup> /h @ 46 Pa	
Sound power level at the optimal operating point	5,9 bel(A)	
Sound pressure level at free air flow, measured in rubber bands	50,0 dB(A)	

b) Operation condition: 2.850 1/min at free air flow      Frequency: 60 Hz      Nominal voltage: 115 V / 230 V

Optimal operating point	255,0 m <sup>3</sup> /h @ 46 Pa	
Sound power level at the optimal operating point	5,9 bel(A)	
Sound pressure level at free air flow, measured in rubber bands	50,0 dB(A)	

## 4 Environment

### 4.1 General

Min. permitted ambient temperature TU min.	-20 °C	
Max. permitted ambient temperature TU max.	72 °C	
Min. permitted storage temperature TL min.	-40 °C	
Max. permitted storage temperature TL max.	80 °C	

## 4.2 Climatic Requirements

IP-protection type (certified)	IP 65 (for fan only, not for connector if applicable) **)	
Humidity requirements	humid temperature, cyclic; according to DIN EN 60068-2-38, 10 cycle and condensation water check; according to DIN EN ISO 6270-2, 14 days	
Salt fog requirements	None	

Permitted application area:

The product is for the use in partial sheltered rooms or open, roofed areas. Direct exposure to water is allowed provided that this does not prevent the normal operation. Saline ambient conditions must be avoided.

Pollution degree 3 (according DIN EN 60664-1)

It occurs conductive pollution or dry non-conductive pollution which becomes conductive due to condensation.

\*\* ) The specification of the IP protection refers to the conditions mentioned in certification of the fan. The above mentioned short description of the protection scope is not final. For detailed information of the respective protection scope and definitions, see certification as well as DIN EN 60529 (protection by housings) and ISO 20653 (for vehicles) with the letter K.

### **Short description of the IP-protection type:**

Solid particle Protection: Dust tight.

Protection against deliberate contact: Protected against contact to hazardous parts with a wire.

Protection against water: Protected against water jets.



## 5 Safety

### 5.1 Electrical Safety

A verification of thermal conditions (normal and abnormal operation) as well as the protection against electric shock, ingress of solid foreign objects and water has to be done in conjunction with the appliance.

Test voltage HV type test	1500 V
Unit test voltage	
Time type test HV	1 s
Insulation resistance	
Protection class	built-in fan

### 5.2 Approval Tests

CE	EC Declaration of Conformity	Yes
EAC	Eurasian Conformity	Yes
UL	Underwriters Laboratories	Yes / UL507, Electric Fans
VDE	Association for Electrical, Electronic and Information Technologies	Yes / Approval acc. to EN 60335 (VDE 0700) - Safety for household and similar electrical appliances
CSA	Canadian Standards Association	Yes
CCC	China Compulsory Certification	Yes / GB 12350 Safety Requirements for small Power Motors

According to the guidelines on the application of Directive 2006/95/EC, chapter III: Scope of the "low voltage" directive, paragraph: Are "components" included in the scope? the following has to be applied:

However, some types of electrical devices, designed and manufactured for being used as basic components to be incorporated into other electrical equipment, are such that their safety to a very large extent depends on how they are integrated into the final product and the overall characteristics of the final product. These basic components include electronic and certain other components.

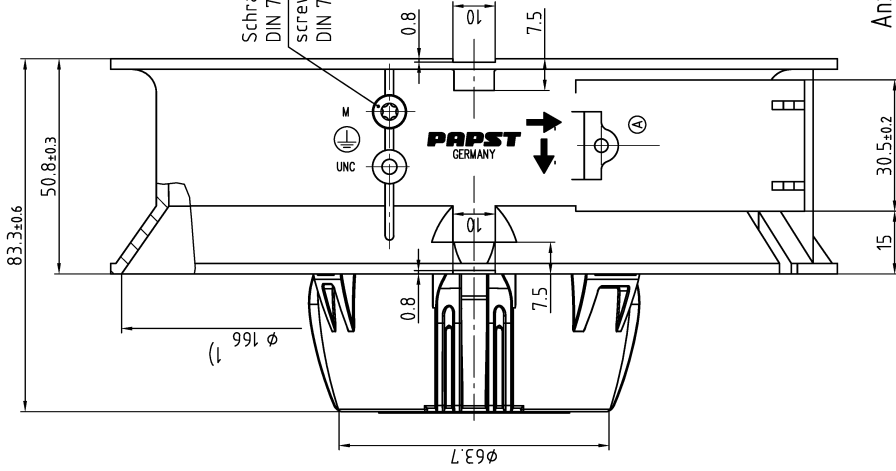
Taking into account these objectives of the "Low Voltage" Directive, such basic components, the safety of which can only, to a very large extent, be assessed taking into account, how they are incorporated and for which a risk assessment cannot be undertaken, then they are not covered as such by the Directive. In particular, they must not be CE marked unless covered by other Community legislation that requires CE marking.

## 6 Reliability

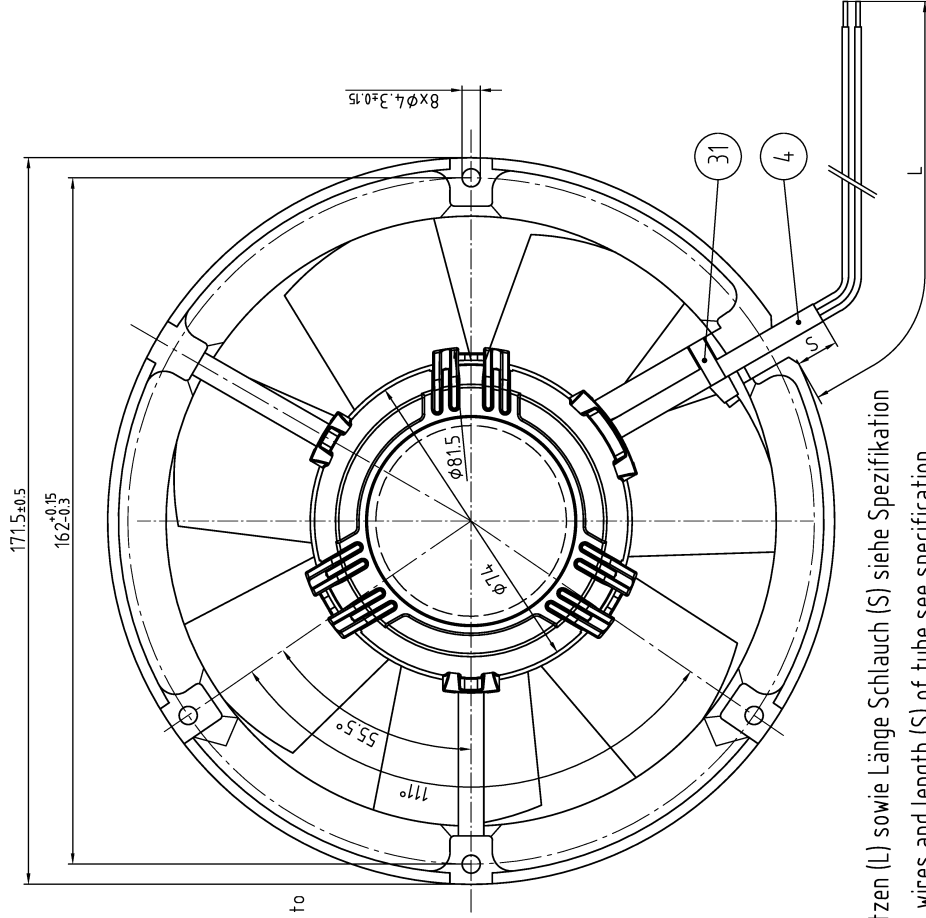
### 6.1 General

Life expectancy L10 at TU = 40 °C	80.000 h	
Life expectancy L10 acc. to IPC 9591 at TU = 40 °C	135.000 h	

Schutzrecht nach DIN ISO 1676 beibehalten.  
 Refer to protection notice DIN ISO 1676 beibehalten.  
 Copy of this document, and give it to others and the use or communication of the contents thereof, are  
 forbidden without express authority. Offenders are liable to the payment of damages. All rights are reserved.  
 in the event of the grant of a patent or the registration of a utility model or design.



Schraube: Duo-Tapfite nach  
 DIN 7500, CM 4x8, Torx  
 screw: Duo-Tapfite according to  
 DIN 7500, CM 4x8, Torx



Anzahl und Länge der Litzen (L) sowie Länge Schlauch (S) siehe Spezifikation  
 length (L) and number of wires and length (S) of tube see specification

1) Durchmesser für Ausschnitt (Luftauslass)  
 - Axialspiel: mit Feder spielfrei verspannt

1) diameter for cutout (air outlet)  
 - without axial clearance by a pre-loaded spring

Teilenummer/Part No.: <b>DIN 7167</b> Allgemeine Toleranzen/General Tolerances: <b>DIN ISO 2768-mK-E</b>		Artikel/Title: <b>axial fan</b>		Massstab/Scale:
Datum/Date: Bezeichnung/Designation: Name/Name: Hersteller/Manufacturer: Art.-Nr./Change-No.:				Blatt/Page:
Sign. zur Verwendung freigegeben/Checked for release by:				Ers./Ed.:
ehm-papst-St. Geoplen GmbH & Co. KG				A3