

Product Data Sheet 9588

ebmpapst

The engineer's choice



9588

INDEX

1	General	3
2	Mechanics	3
2.1	GENERAL	3
2.2	CONNECTIONS	4
3	Operating Data	5
3.1	ELECTRICAL OPERATING DATA	5
3.2	ELECTRICAL FEATURES	6
3.3	AERODYNAMICS	6
3.4	SOUND DATA	7
4	Environment	7
4.1	GENERAL	7
4.2	CLIMATIC REQUIREMENTS*)	7
5	Safety	8
5.1	ELECTRICAL SAFETY	8
5.2	APPROVAL TESTS	8
6	Reliability	8
6.1	GENERAL	8

1 General

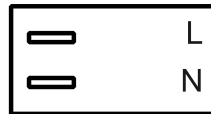
Fan type	Fan
Rotating direction looking at rotor	Counterclockwise
Airflow direction	Air outlet over struts
Bearing system	Ball bearing
Mounting position - shaft	Any
Balancing grade	40,0

2 Mechanics**2.1 General**

Width	119,0 mm	
Height	119,0 mm	
Depth	38,0 mm	
Diameter	0,0 mm	
Mass	0,550 kg	
Housing material	Metal	
Impeller material	Plastic	

2.2 Connections

Electrical connection	Plug	
Lead wire length	See drawing	
Tolerance		
Tube length	See drawing	
Tolerance		
Wire size (AWG)		
Insulation diameter		
Plug	See drawing	
Contact	See drawing	



3 Operating Data

3.1 Electrical Operating Data

Measurement conditions: Normal air density = 1,2 kg/m³; Temperature 23°C +/- 3°C; Motor axis horizontal; warm-up time before measuring 5 minutes (unless otherwise specified).
In the intake and outlet area should not be any solid obstruction within 0,5 m.

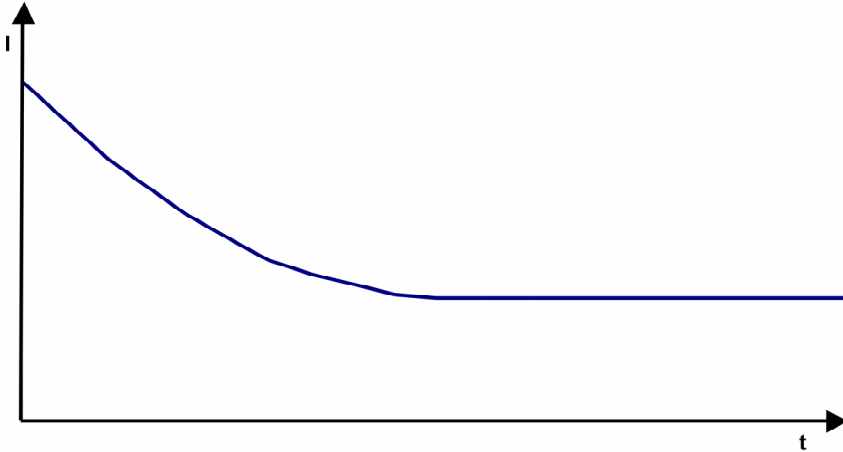
$\Delta p = 0$: corresp. to free air flow (see chapter aerodynamics)

I: corresp. to RMS line current

Features	Condition	Symbol	Values	
Frequency	$\Delta p = 0$	f	50 Hz	60 Hz
Nominal voltage	$\Delta p = 0$	U_N	230 V	230 V
Tolerance			+ 6 % - 10 %	+ 6 % - 10 %
Power consumption	$\Delta p = 0$	P	12 W	11 W
Tolerance			+ 5 % - 10 %	+ 5 % - 10 %
Speed	$\Delta p = 0$	n	2.150 1/min	2.250 1/min
Tolerance			+/- 5 %	+/- 5 %

3.2 Electrical Features

Locked rotor protection	Impedance
Locked rotor current at	



3.3 Aerodynamics

Measurement conditions: Measured with a double chamber intake rig acc. to DIN EN ISO 5801. Normal air density = 1,2 kg/m³; Temperature 23°C +/- 3°C; In the intake and outlet area should not be any solid obstruction within 0,5 m. Motor shaft horizontal. The information is only valid under the specified test conditions and may be changed by the installation conditions. If there are deviations from the standard test conditions, the characteristic values must be checked under the installed conditions.

a.) Operation condition:
2.150 1/min at free air flow Frequency: 50 Hz

Max. free-air flow ($\Delta p = 0 / \dot{V} = \text{max.}$)	124,0 m ³ /h
Max. static pressure ($\Delta p = \text{max.} / \dot{V} = 0$)	35 Pa

b.) Operation condition:
2.250 1/min at free air flow Frequency: 60 Hz

Max. free-air flow ($\Delta p = 0 / \dot{V} = \text{max.}$)	130,0 m ³ /h
Max. static pressure ($\Delta p = \text{max.} / \dot{V} = 0$)	35 Pa

3.4 Sound Data

Measurement conditions: Sound pressure level: 1 meter distance between microphone and the air intake.
 Sound power level: Acc. to DIN 45635 part 38 (ISO 10302) Sound power level: Acc. to DIN 45635 part 38 (ISO 10302)
 Measured in a semianchoic chamber with a background noise level of $L_p(A) < 5 \text{ dB(A)}$
 For further measurement conditions see chapter aerodynamics.

a.) Operation condition:
 2.150 1/min at free air flow Frequency: 50 Hz

Optimal operating point		
Sound power level at the optimal operating point	4,9 bel(A)	
Sound pressure level at free air flow, measured in rubber bands	36,0 dB(A)	

b.) Operation condition:
 2.250 1/min at free air flow Frequency: 60 Hz

Optimal operating point		
Sound power level at the optimal operating point	5,0 bel(A)	
Sound pressure level at free air flow, measured in rubber bands	37,0 dB(A)	

4 Environment

4.1 General

Min. permitted ambient temperature TU min.	-30 °C / 50 Hz -30 °C / 60 Hz	
Max. permitted ambient temperature TU max.	75 °C / 50 Hz 75 °C / 60 Hz	
Min. permitted storage temperature TL min.	-40 °C	
Max. permitted storage temperature TL max.	80 °C	

4.2 Climatic Requirements *)

Humidity requirements	humid heat, constant; according to DIN EN 60068-2-78, 14 days	
Water exposure	None	
Dust requirements	None	
Salt fog requirements	None	

Permitted application area:

The product is intended for use in sheltered rooms with controlled temperature and controlled humidity. Directly exposure to water must be avoided.

Pollution degree 1 (according DIN EN 60664-1)

There is either no pollution or it occurs only dry, non-conductive pollution. The pollution has no negative impact.

5 Safety

5.1 Electrical Safety

Dielectric strength DIN EN 60950 (VDE 0805) and DIN EN 60335 (VDE 0700) A.) Type test Measuring conditions: After 48h of storage at 95% R.H. and 25°C. No arcing or breakdown is allowed! All connections together to ground.	1500 VAC / 1 Min.
B.) Routine test Measuring conditions: At indoor climate. No arcing or breakdown is allowed! All connections together to ground.	1500 VAC / 1 Sec.
Isolation resistance Measuring conditions: After 48h of storage at 95% R.H. and 25°C measured with U=500 VDC for 1 min.	RI > 50 MOhm
Clearance / creepage distance	2,0 mm / 1,8 mm
Protection class	I

5.2 Approval Tests

CE	EC Declaration of Conformity	Yes
EAC	Eurasian Conformity	Yes
UL	Underwriters Laboratories	Yes / UL507, Electric Fans
VDE	Association for Electrical, Electronic and Information Technologies	Yes / Approval acc. to EN 60335 (VDE 0700) - Safety for household and similar electrical appliances
CSA	Canadian Standards Association	Yes / CSA audited by UL according to C22.2 No. 113 Fans and Ventilators
CCC	China Compulsory Certification	Yes / GB 12350 Safety Requirements for small Power Motors

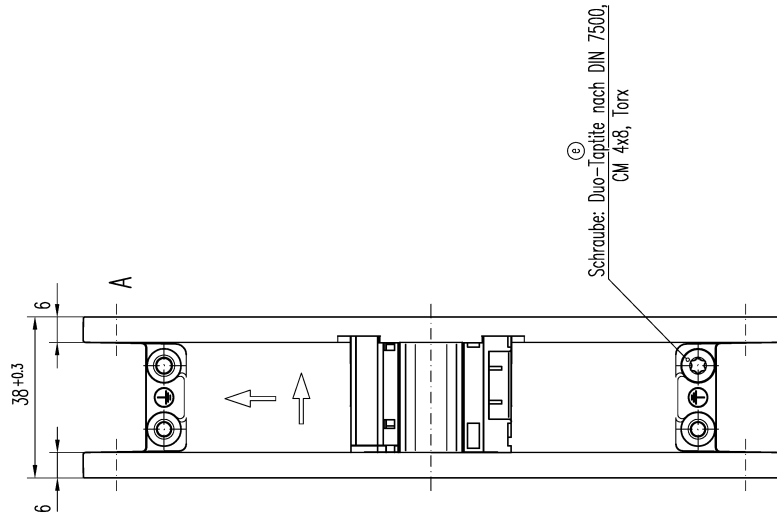
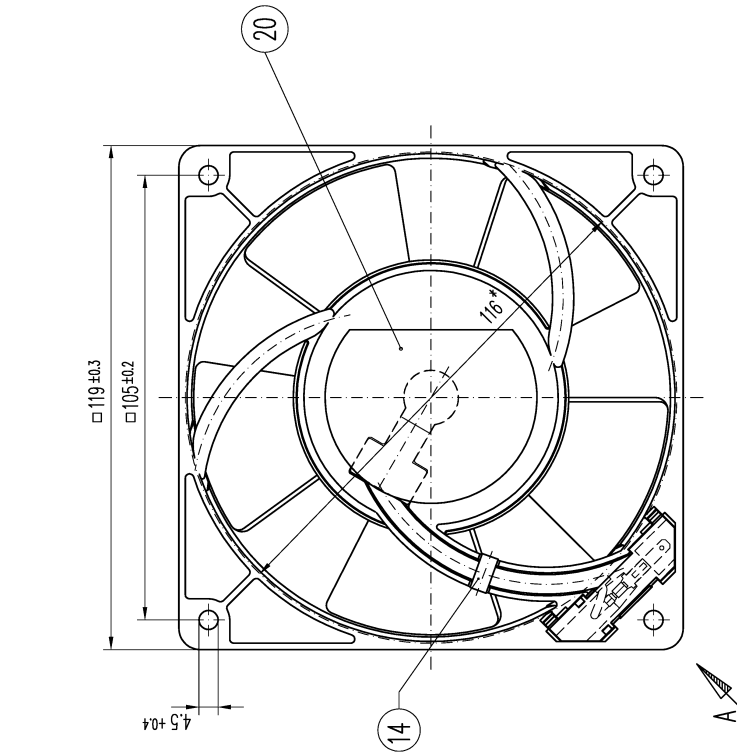
6 Reliability

6.1 General

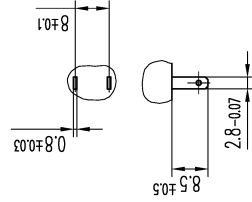
Life expectancy L10 at TU = 40 °C	56.000 h / 50 Hz 56.000 h / 60 Hz	
Life expectancy L10 at TU max.	25.000 h / 50 Hz 25.000 h / 60 Hz	

Copying of this document, and giving it to others and the use or communication of the contents thereof, are forbidden without express authority. Offenders are liable to the payment of damages. All rights are reserved in the event of the grant of a patent or the registration of a utility model or design.

Schutzmerk nach DIN 34 beachten



Made für Steckeranschluß



* = Maß für Montagewand
 Axialspiel bei Kugellagerung (K) : 0 (mit Federausgleich)
 Gleitlagerung (G) : 0,1-0,6

G 928 318 401	WZK13-A01-40	G 928 318 700	9650
K 928 318 019	WZK13-A05-16	K 928 318 211	9600
K 928 318 018	WZK13-A03-16	K 928 318 209	9650
K 928 318 014	WZK13-A02-16	K 928 318 206	9680
K 928 318 011	WZK13-A07-16	K 928 318 204	9630
K 928 318 009	WZK13-A05-16	K 928 318 202	9600
K 928 318 001	WZK13-A01-16	K 928 318 200	9630

Allgemeindaten

e	209/97	24.03.97	Nuber J.	Datum	Name	Artikel	Maßstab
d	Erzeugung	30.10.96	Winkler M.	Erstellt	Knappp U.		1:1
c	221/94	17.10.94	Nuber J.	Gepfll	Wröbel G.		
b	210/94	21.06.94	Knappp U.				
a	167/94	24.05.94	Knappp U.				
Zeich.-Nr.	Datum	Gezeichnet von		Zug.-Nr.			
Zur Verwendung im Verteiler freigegeben von Wröbel G.		am		PAPST-MOTOREN GmbH & Co KG D-7812 St. Georgen Germany			Blatt
				Ers.Zeichg.: WZK113-A			

- 516
- 3...
- 045
- 243
- 240
- 235
- 232
- 231
- 210

+