

Product Data Sheet 6314/2TDHHP-015

ebmpapst

The engineer's choice



6314/2TDHHP-015

INDEX

1	General	3
2	Mechanics	3
2.1	General.....	3
2.2	Connections.....	3
3	Operating Data	5
3.1	Electrical Interface - Input.....	5
3.2	Electrical Operating Data	6
3.3	Electrical Interface - Output.....	7
3.4	Electrical Features	7
3.5	Aerodynamics.....	10
3.6	Sound Data.....	12
4	Environment	12
4.1	General.....	12
4.2	Climatic Requirements	12
5	Safety	13
5.1	Electrical Safety	13
5.2	Approval Tests.....	13
6	Reliability	13
6.1	General.....	13

1 General

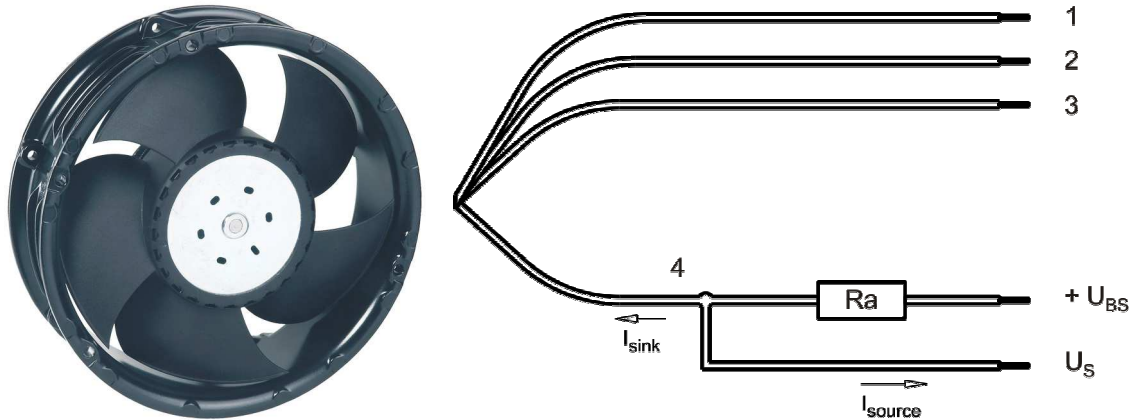
Fan type	Fan	
Rotating direction looking at rotor	Counterclockwise	
Airflow direction	Air outlet over struts	
Bearing system	Ball bearing	
Mounting position - shaft	Any	

2 Mechanics**2.1 General**

Width	160,0 mm	
Depth	51,0 mm	
Diameter	172,0 mm	
Mass	0,875 kg	
Housing material	Metal	
Impeller material	Plastic	
Max. torque when mounted across both mounting flanges Screw size	Wire outlet corner: 600 Ncm Remaining corners: 600 Ncm ISO 4762 - M4 degreased, without an additional brace and without washer	

2.2 Connections

Electrical connection	Wires	
Lead wire length	L = 365 mm	
Tolerance	+ - 10,0 mm	
Tube length	S = 10 mm	
Tolerance	+ - 2,0 mm	
Wire size (AWG)	18 22	
Insulation diameter	1,7 mm 2,2 mm	



Wire	Color	Operation	Wire size	Insulation diameter
1	red	+ UB	AWG 18	2,2 mm
2	blue	- GND	AWG 18	2,2 mm
3	violet	PWM	AWG 22	1,7 mm
4	white	Tacho	AWG 22	1,7 mm

The auxiliaries shown on the schematic diagram (which are required for the intended use) are not part of our delivery.

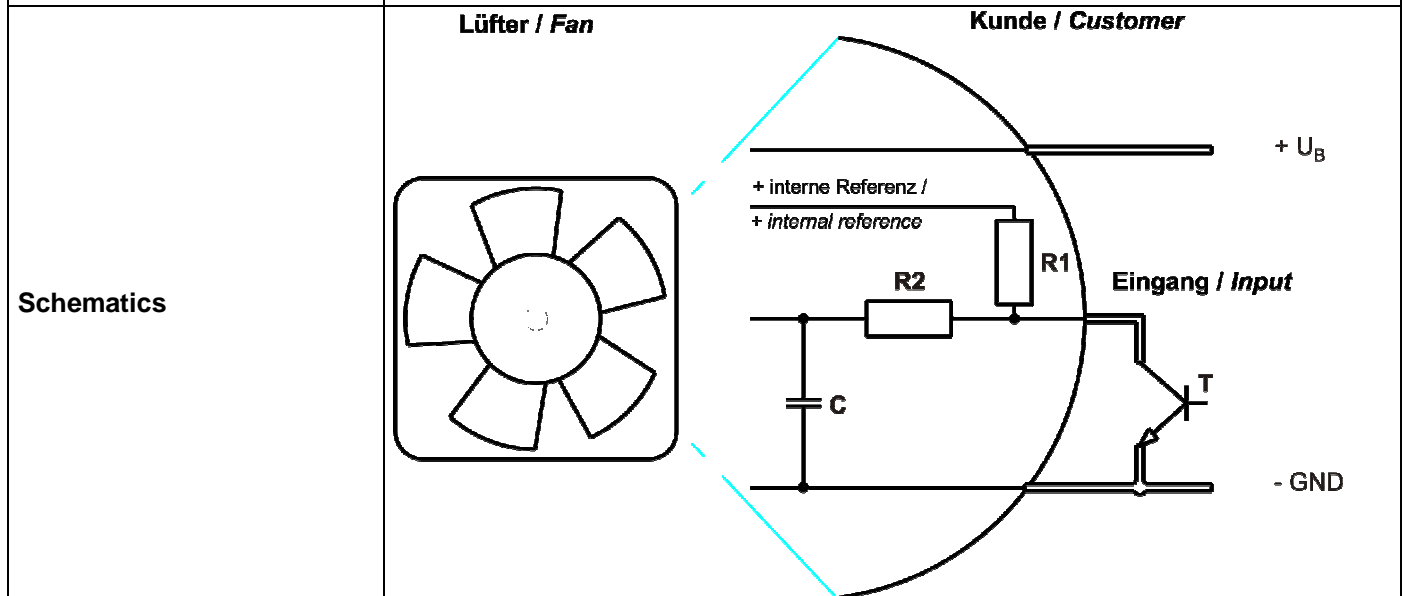
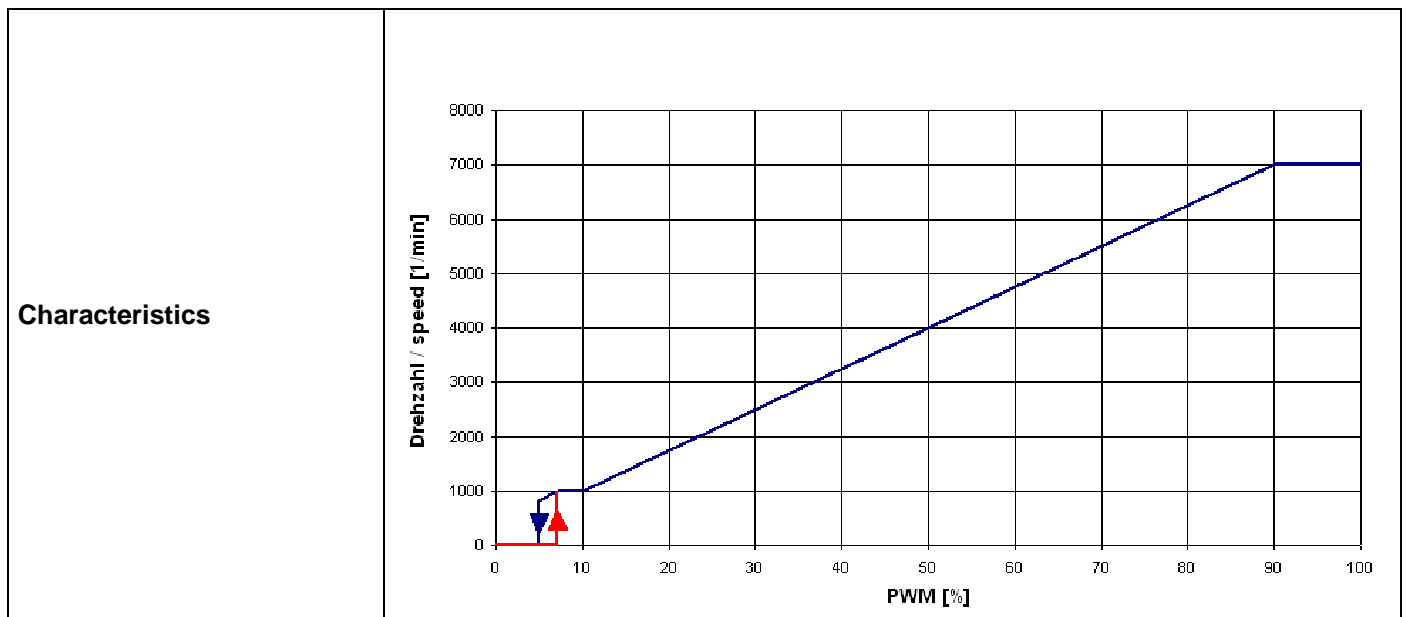
3 Operating Data

3.1 Electrical Interface - Input

Control input	PWM
---------------	-----

Features

Input type	Open collector	
PWM - Frequency		typical: 2 kHz
Input frequency range		1 kHz - 20 kHz



The shown pull-up resistor to the internal reference voltage (+5V) has 4.7kOhm.

Information to the curve:

0% - <=7% PWM: 0 1/min

7% - 10% PWM: 1.000 1/min (corresponding to min. speed)
 10% - 90% PWM: linear increasing curve
 90% - 100% PWM: 7.000 1/min (corresponding to max. speed)
 7% PWM: 1.000 1/min (Fan on, coming from 0% PWM)
 7% - 5% PWM: linear decreasing curve (von 100% PWM kommend)
 5% PWM: 800 1/min or 0 1/min (Fan off, coming from 100% PWM)

Transistor requirements:

V_{ce} max. >= 12V; I_{sink} max. >=5mA
 V_{ce} sat. <= 0,15V

3.2 Electrical Operating Data

Measurement conditions: Normal air density = 1,2 kg/m³; Temperature 23°C +/- 3°C; Motor axis horizontal; warm-up time before measuring 5 minutes (unless otherwise specified). In the intake and outlet area should not be any solid obstruction within 0,5 m.

Δp = 0: corresp. to free air flow (see chapter aerodynamics)
 I: corresp. to arithm. mean current value

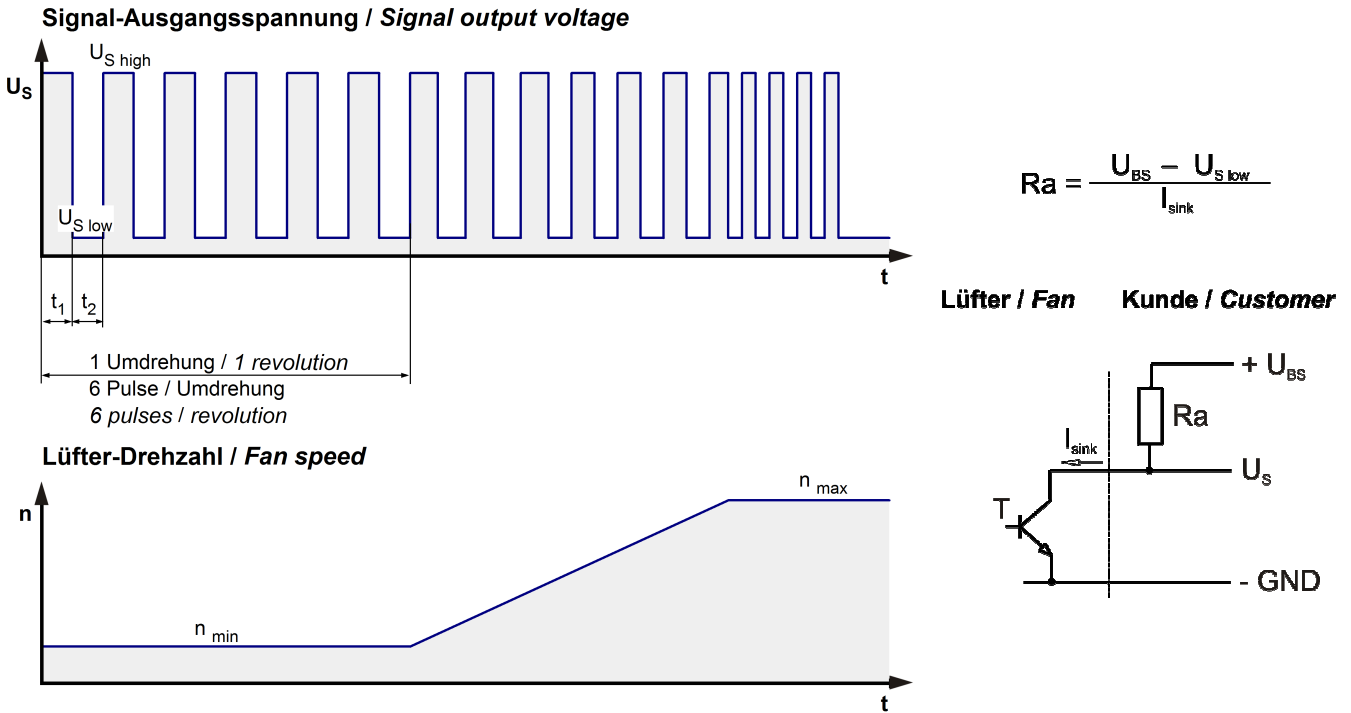
Name	Condition
PWM 0001	PWM: 95 %; f: 2 kHz

>90% PWM; f = 2 kHz or broken lead wire (open control input)

Features	Condition	Symbol	Values		
Voltage range		U	16 V		36 V
Nominal voltage		U _N		24 V	
Power consumption	Δp = 0	P	37 W +/- 10 %	67 W +/- 10 %	67,0 W +/- 10 %
Tolerance	PWM 0010				
Current consumption	Δp = 0	I	2.300 mA +/- 10 %	2.800 mA +/- 10 %	1.850 mA +/- 10 %
Tolerance	PWM 0010				
Speed	Δp = 0	n	5.750 1/min +/- 7,5 %	7.000 1/min +/- 5 %	7.000 1/min +/- 5 %
Tolerance	PWM 0010				

3.3 Electrical Interface - Output

Tacho type	/2 (open collector)
------------	---------------------



Features	Note	Values
Tacho operating voltage	U _{BS}	<= 60,0 V
Tacho signal Low	U _{S low}	I sink: 2 mA <= 0,4 V
Tacho signal High	U _{S high}	I source: 0 mA 60,0 V
Maximum sink current	I _{sink}	<= 20 mA
External resistor	External resistor Ra from U _{BS} to U _S required. All voltages measured to GND.	
Tacho frequency	(6 x n) / 60	
Tacho isolated from motor	No	
Slew rate		=> 0,5 V/us

n = revolutions per minute (1/min)

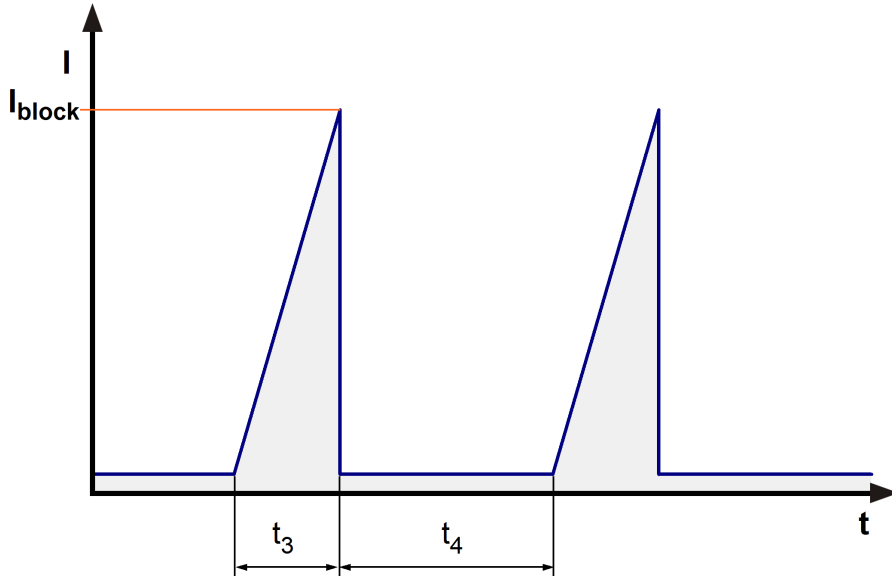
Please note:

At zero speed the tacho signal is at a static HIGH. It will be also HIGH when the fan is still spinning, but the speed control signal is set to zero speed already.
The tacho signal is only activated after the start-up is completed.

3.4 Electrical Features

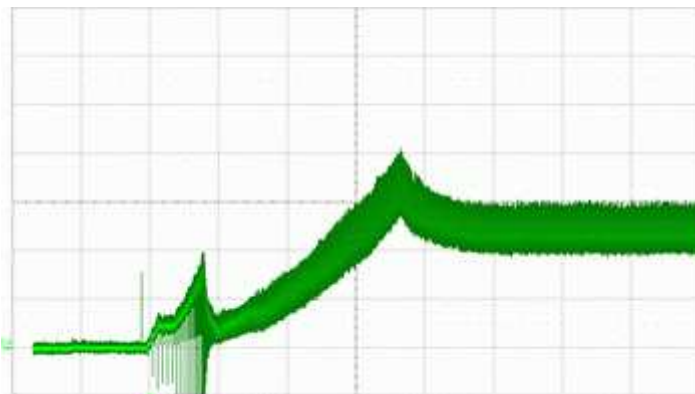
Electronic function	Speed-Controlled	
Reversed polarity protection	P-CH FET	
Max. residual current at U _N	I _F <= 5 mA	

Locked rotor protection	Auto restart	
Locked rotor current at U_N	I_{block}	
Clock signal at locked rotor	t_3 / t_4 typical: 3 s / 10,0 s	



First locked rotor off time is reduced to 3 seconds.
 After 4 unsuccessful start up tries the fan will be turned off for 40 seconds. .

This fan has a startup delay of 2 seconds after applying supply voltage.



Start-up current @ 24 V ($I = 1A/div ; t = 2s/div$)



Running current @ 24 V (I = 500mA/div ; t = 500us/div)



Locked rotor current @ 24 V (I = 1A/div ; t = 1s/div)

Internal Fuse:

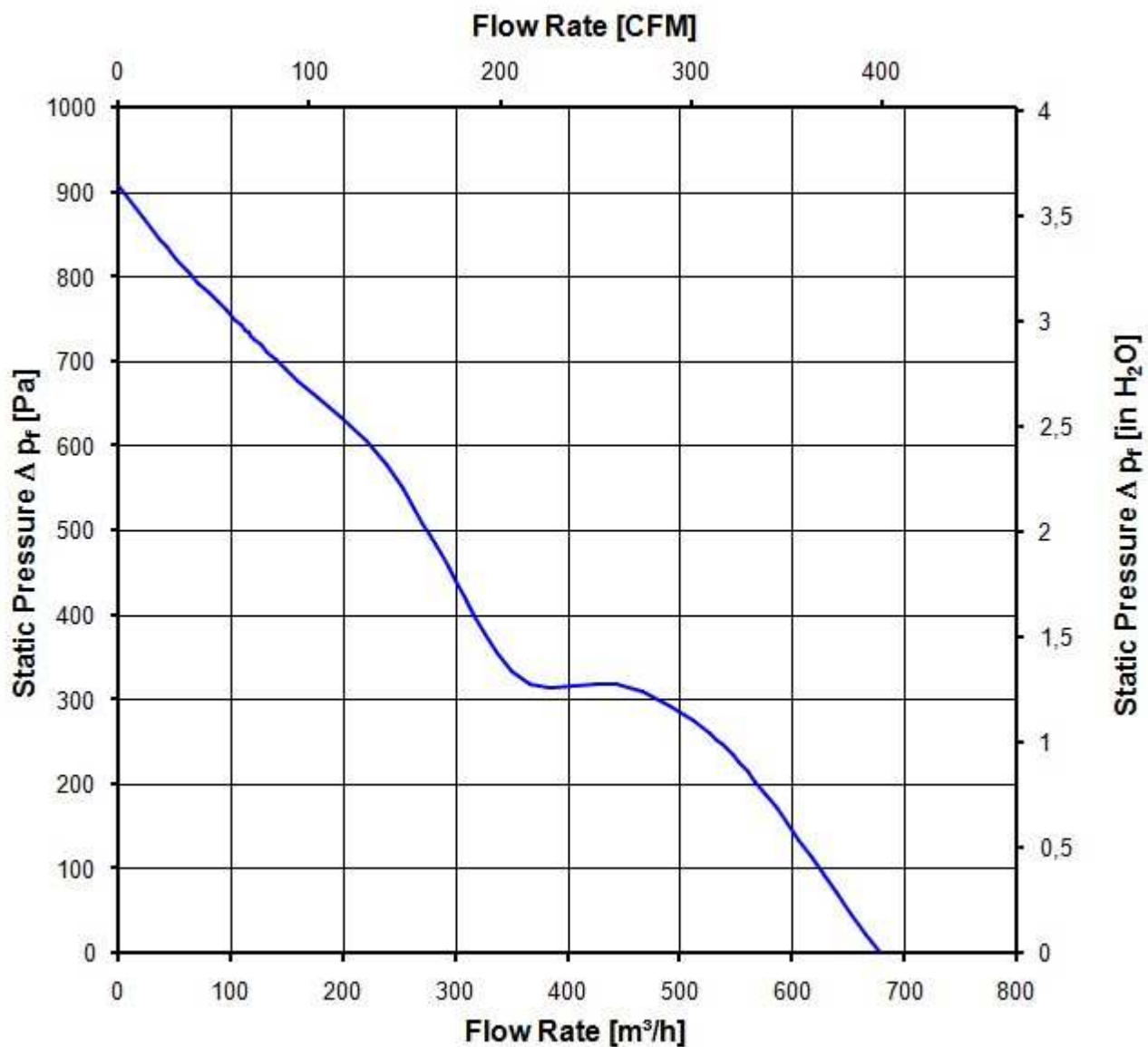
Littelfuse Nano2 Fuse
Very Fast-Acting 451/453 Series
12A / 65V

3.5 Aerodynamics

Measurement conditions: Measured with a double chamber intake rig acc. to DIN EN ISO 5801.
 Normal air density = 1,2 kg/m³; Temperature 23°C +/- 3°C;
 In the intake and outlet area should not be any solid obstruction within 0,5 m. Motor shaft horizontal.
 The information is only valid under the specified test conditions and may be changed by the installation conditions. If there are deviations from the standard test conditions, the characteristic values must be checked under the installed conditions.

a.) Operation condition:

7.000 1/min at free air flow	PWM 95 %; f: 2 kHz		
Max. free-air flow ($\Delta p = 0 / \dot{V} = \text{max.}$)		680,0 m ³ /h	
Max. static pressure ($\Delta p = \text{max.} / \dot{V} = 0$)		910 Pa	



3.6 Sound Data

Measurement conditions: Sound pressure level: 1 meter distance between microphone and the air intake.
 Sound power level: Acc. to DIN 45635 part 38 (ISO 10302)
 Measured in a semianchoic chamber with a background noise level of $L_p(A) < 5 \text{ dB(A)}$
 For further measurement conditions see chapter aerodynamics.

a.) Operation condition:

7.000 1/min at free air flow	PWM 95 %; f: 2 kHz		
------------------------------	--------------------	--	--

Optimal operating point	670,0 m3/h @ 20 Pa		
Sound power level at the optimal operating point	7,9 bel(A)		
Sound pressure level at free air flow, measured in rubber bands	69,0 dB(A)		

4 Environment

4.1 General

Min. permitted ambient temperature TU min.	-20 °C		
Max. permitted ambient temperature TU max.	75 °C		
Min. permitted storage temperature TL min.	-40 °C		
Max. permitted storage temperature TL max.	80 °C		

4.2 Climatic Requirements

Humidity requirements	humid heat, constant; according to DIN EN 60068-2-78, 14 days		
Water exposure	None		
Dust requirements	None		
Salt fog requirements	None		

Permitted application area:

The product is intended for use in sheltered rooms with controlled temperature and controlled humidity. Directly exposure to water must be avoided.

Pollution degree 1 (according DIN EN 60664-1)

There is either no pollution or it occurs only dry, non-conductive pollution. The pollution has no negative impact.

Please require severity levels and specification parameters from the responsible development departments.

5 Safety

5.1 Electrical Safety

Dielectric strength DIN EN 60950 (VDE 0805) and DIN EN 60335 (VDE 0700) A.) Type test Measuring conditions: After 48h of storage at 95% R.H. and 25°C. No arcing or breakdown is allowed! All connections together to ground.	500 VAC / 1 Min.	
B.) Routine test Measuring conditions: At indoor climate. No arcing or breakdown is allowed! All connections together to ground.	850 VDC / 1 Sec.	
Isolation resistance Measuring conditions: After 48h of storage at 95% R.H. and 25°C measured with U=500 VDC for 1 min.	RI > 10 MOhm	
Clearance / creepage distance	1,0 mm / 1,2 mm	
Protection class	III	

5.2 Approval Tests

CE	EC Declaration of Conformity	Yes
EAC	Eurasian Conformity	Yes
UL	Underwriters Laboratories	Yes / UL507, Electric Fans
VDE	Association for Electrical, Electronic and Information Technologies	Yes / Approval acc. to EN 60950 (VDE 0805) - Information technology equipment
CSA	Canadian Standards Association	Yes / C22.2 No. 113 Fans and Ventilators
CCC	China Compulsory Certification	Not applicable

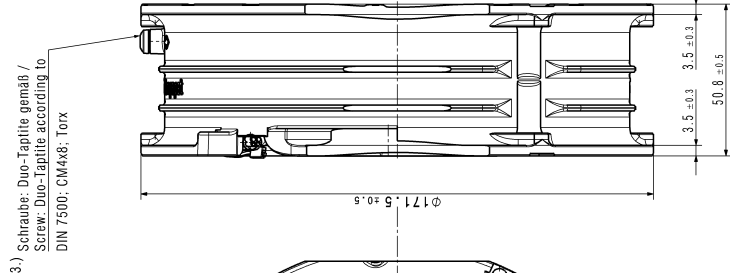
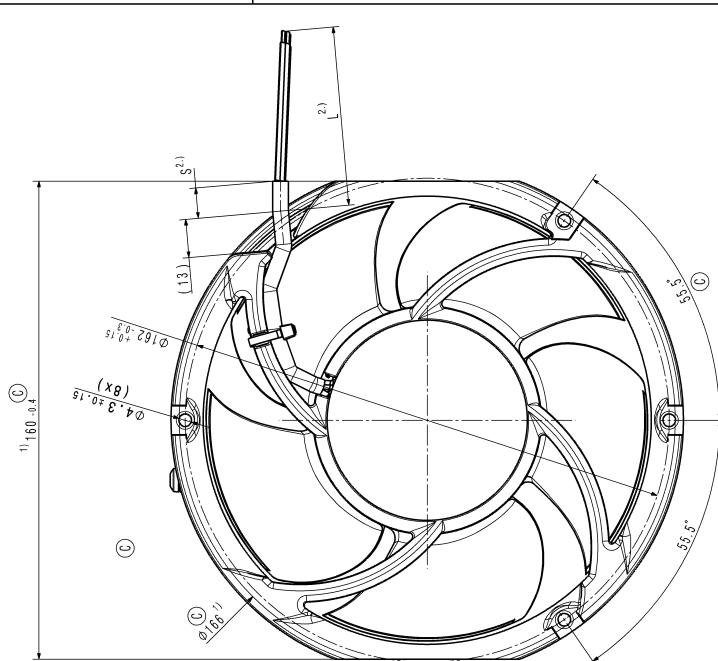
The approval tests are observed to:

U approval max.:36,0 V @ TU approval max.: 70,0 °C

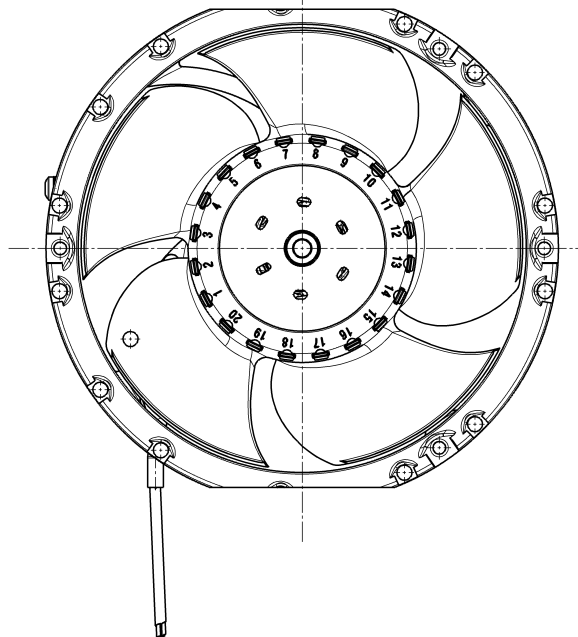
6 Reliability

6.1 General

Life expectancy L10 at TU = 40 °C	62.500 h	
Life expectancy L10 at TU max.	30.000 h	
Life expectancy L10 acc. to IPC 9591 at TU = 40 °C	105. 000 h	



3.) Schraube: Duo-Tapitite gemäß /
Screw: Duo-Tapitite according to
DIN 7500; CM4x8; Torx



Ⓒ

- 1.) Maße für Montageausschnitt. / Dimensions for assembly wall.
- 2.) Anzahl und Länge von Litzen u. Schlauch siehe Produktspezifikation. /
Length and number of wires and tube see product specification.
- 3.) Nur wenn in Stückliste enthalten. / Only it is included in bill of material.
- Axialspiel der Kugellager mit Feder spielfrei verspannt. /
Ball bearing without clearance by a preload spring.

Rechte der dies document, are giving to client and use of characteristics of the covered thereof, are
 provided with 200 890 8878-0000 /
 nicht zu verwenden außer mit 200 890 8878-0000 /
 shall be provided with 200 890 8878-0000

SP-Produktname		PSP-Produktname		Produkt / Material		Revisions-Nr. / Date (YY)	
Baugruppe-Nr.		Baugruppe-Nr.		Best-Nr. / Date (YY)		Reviz. / Date (YY)	
Zeichnungs-Nr.		Zeichnungs-Nr.		APPROVED / DATE		REVISED / DATE	
APPROVED / DATE		REVISED / DATE		DATE / DATE		DATE / DATE	
DATE / DATE		DATE / DATE		DATE / DATE		DATE / DATE	
DATE / DATE		DATE / DATE		DATE / DATE		DATE / DATE	
DATE / DATE		DATE / DATE		DATE / DATE		DATE / DATE	

Zeichnung entspricht 3D-Modell:
 Drawing is equivalent to 3D-Model:
 909542007_CPR_000_...
 SYSTEM: CATIA V5 R 19