

Product Data Sheet 4412FGPR-200

ebmpapst

The engineer's choice



4412FGPR-200

INDEX

1	General	3
2	Mechanics	3
2.1	General.....	3
2.2	Connections.....	3
3	Operating Data	4
3.1	Electrical Interface - Input.....	4
3.2	Electrical Operating Data	5
3.3	Electrical Features	5
3.4	Aerodynamics	10
3.5	Sound Data.....	12
4	Environment	12
4.1	General.....	12
4.2	Climatic Requirements	12
5	Safety	13
5.1	Electrical Safety	13
5.2	Approval Tests	13
6	Reliability	13
6.1	General.....	13

1 General

Fan type	Fan	
Rotating direction looking at rotor	Counterclockwise - reversible	
Airflow direction	Air outlet over struts	
Bearing system	Sleeve bearing	
Mounting position - shaft	Any	

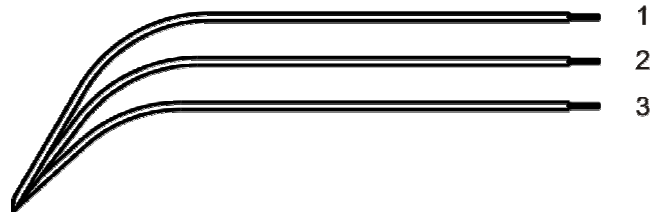
2 Mechanics

2.1 General

Width	119 mm	
Height	119 mm	
Depth	25,4 mm	
Mass	0,175 kg	
Housing material	Plastic	
Impeller material	Plastic	
Max. torque when mounted across both mounting flanges	Wire outlet corner: 40 Ncm Remaining corners: 10 Ncm	
Screw size	ISO 4762 - M4 degreased, without an additional brace and without washer	

2.2 Connections

Electrical connection	Wires	
Lead wire length	L = 310 mm	
Tolerance	+ - 10 mm	



Wire	Color	Operation	Wire size	Insulation diameter
1	red	+ UB	AWG 24	1,35 mm
2	blue	- GND	AWG 24	1,35 mm
3	violet	PWM	AWG 24	1,35 mm

The auxiliaries shown on the schematic diagram (which are required for the intended use) are not part of our delivery.

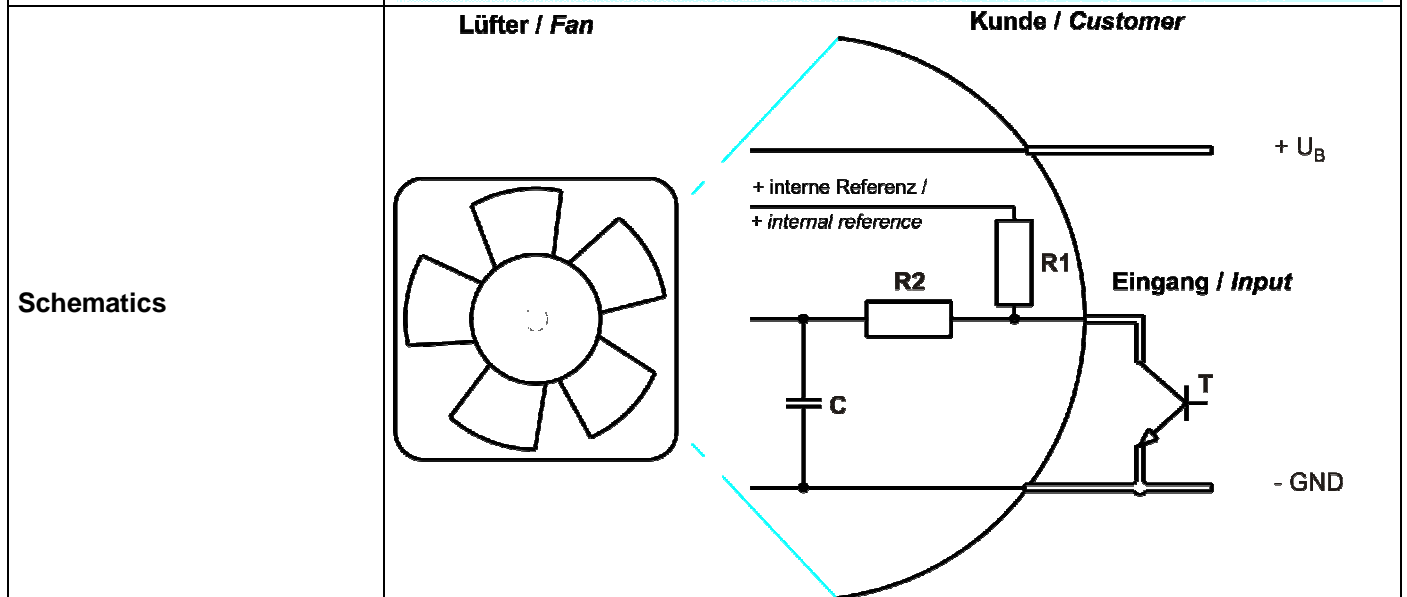
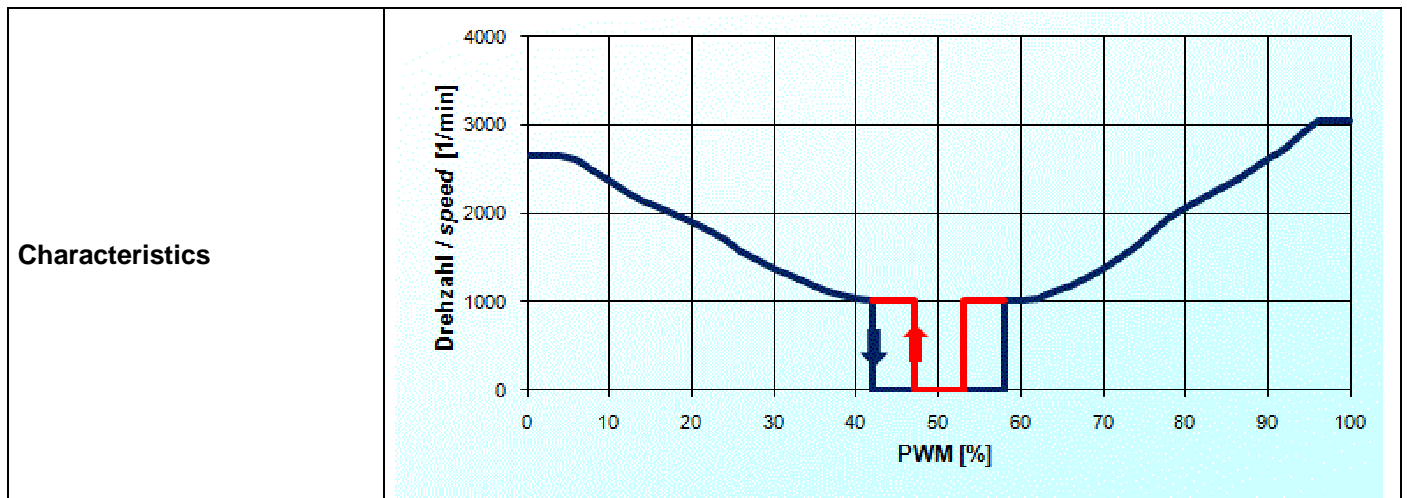
3 Operating Data

3.1 Electrical Interface - Input

Control input	PWM
---------------	-----

Features

Input type	Open collector	
PWM - Frequency		2 kHz - 5 kHz



Fan with reversed rotating direction Setpoint: 0% - 50% air outlet over struts / Setpoint: 50% - 100% air intake over struts

3.2 Electrical Operating Data

Measurement conditions: Normal air density = 1,2 kg/m³; Temperature 23°C +/- 3°C; Motor axis horizontal; warm-up time before measuring 5 minutes (unless otherwise specified). In the intake and outlet area should not be any solid obstruction within 0,5 m.

$\Delta p = 0$: corresp. to free air flow (see chapter aerodynamics)
 I: corresp. to arithm. mean current value

Name	Condition		
PWM 0001	PWM: <= 3 %;	f: 2 kHz	f: 5 kHz

Rotational direction, looking at Rotor: left (air outlet over struts)

Rotational direction, looking at Rotor: left (air outlet over struts)

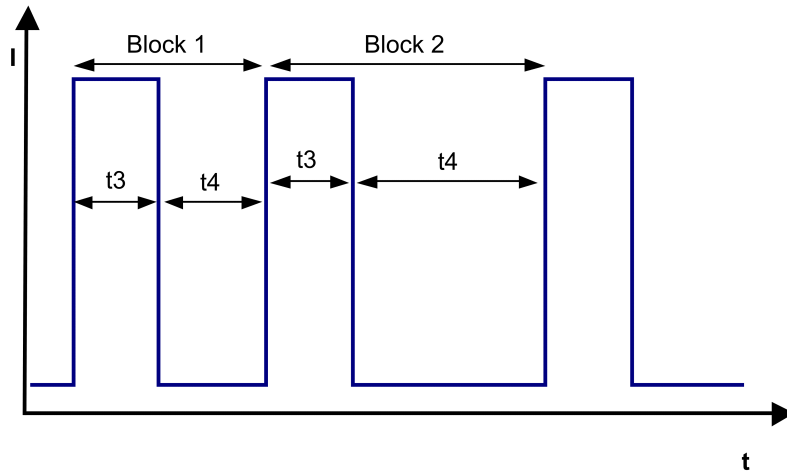
Rotational direction, looking at Rotor: right (air intake over struts)

Rotational direction, looking at Rotor: right (air intake over struts)

Features	Condition	Symbol	Values		
Voltage range		U	9,5 V		12,6 V
Nominal voltage		U _N		12,0 V	
Power consumption	$\Delta p = 0$	P	3,5 W	3,5 W	3,6 W
Tolerance	PWM 0010		+/- 25,0 %	+/- 25,0 %	+/- 25,0 %
Current consumption	$\Delta p = 0$	I	368 mA	292 mA	300 mA
Tolerance	PWM 0010		+/- 25,0 %	+/- 25,0 %	+/- 25,0 %
Speed	$\Delta p = 0$	n	2.650 1/min	2.650 1/min	2.650 1/min
Tolerance	PWM 0010		+/- 12,5 %	+/- 4,0 %	+/- 4,0 %
Starting current consumption				1.100 mA	

3.3 Electrical Features

Electronic function	Speed-Controlled	
Reversed polarity protection	Rectifying diode	
Max. residual current at U _N	I _F < 50 uA	
Locked rotor protection	Auto restart	
Locked rotor current at U _N	I _{block} approx. 1.100 mA	
Clock signal at locked rotor	t ₃ / t ₄ typical: 0,6 s / 10 s	



Special locked rotor protection: Block1: $t_3 / t_4 = 0,6 \text{ s} / 0,3 \text{ s}$; Block2: locked rotor protection $t_3 / t_4 = 0,6 \text{ s} / 10 \text{ s}$

The fan has a two constant blocking cycle. The behavior of this cycle differs marginally between a blocked rotor when the fan gets started and a blocked rotor during the running operation of the fan. The following figures describe this characteristic.

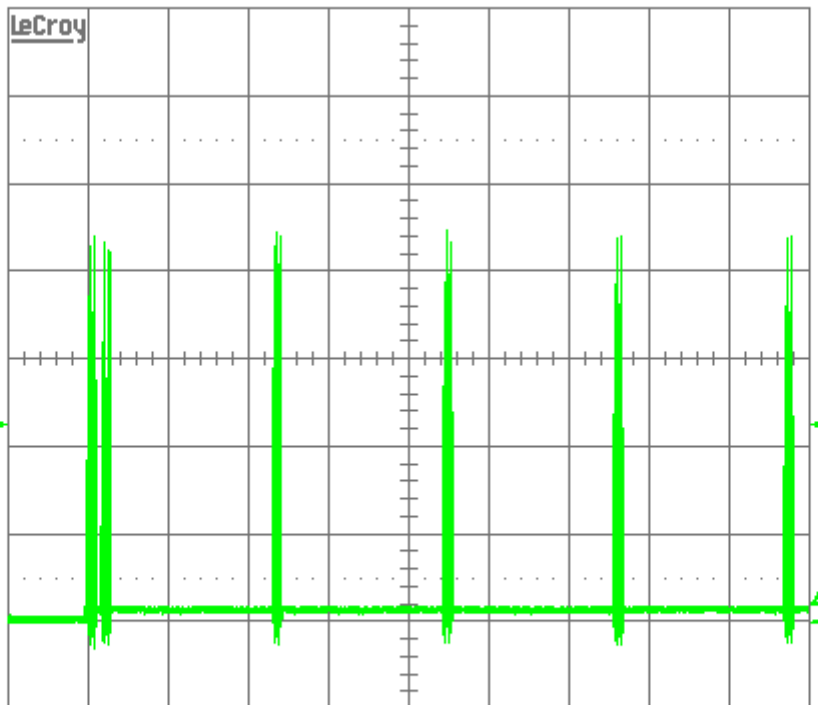
1. Blocked rotor at the start of the fan

5-Apr-12
14:27:45

REMOTE ENABLE

GO TO LOCAL

5 s
100 mA



	5 s	BWL
1	5 V	DC $\times \frac{10}{10}$
2	5 V	DC $\times \frac{10}{10}$
3	1 V	DC $\times \frac{10}{10}$
4	.1 V	DC



4 DC 226 mA

1 kS/s

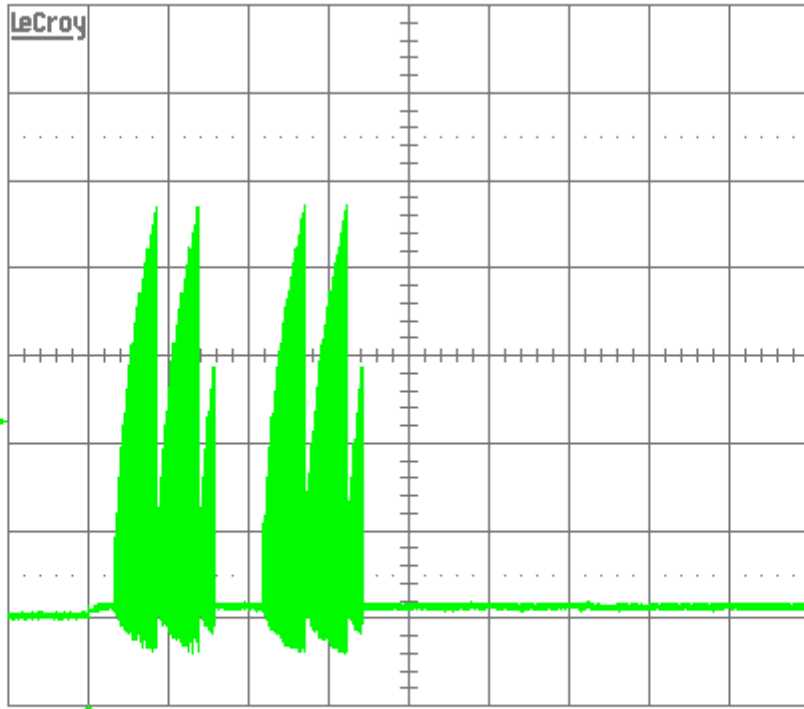
STOPPED

5-Apr-12
14:28:45

REMOTE ENABLE

GO TO LOCAL

4
.5 s
100 mA



.5 s BWL

- 1 5 V DC $\times \frac{1}{10}$
- 2 5 V DC $\times \frac{1}{10}$
- 3 1 V DC $\times \frac{1}{10}$
- 4 .1 V DC



4 DC 226 mA

10 kS/s

STOPPED

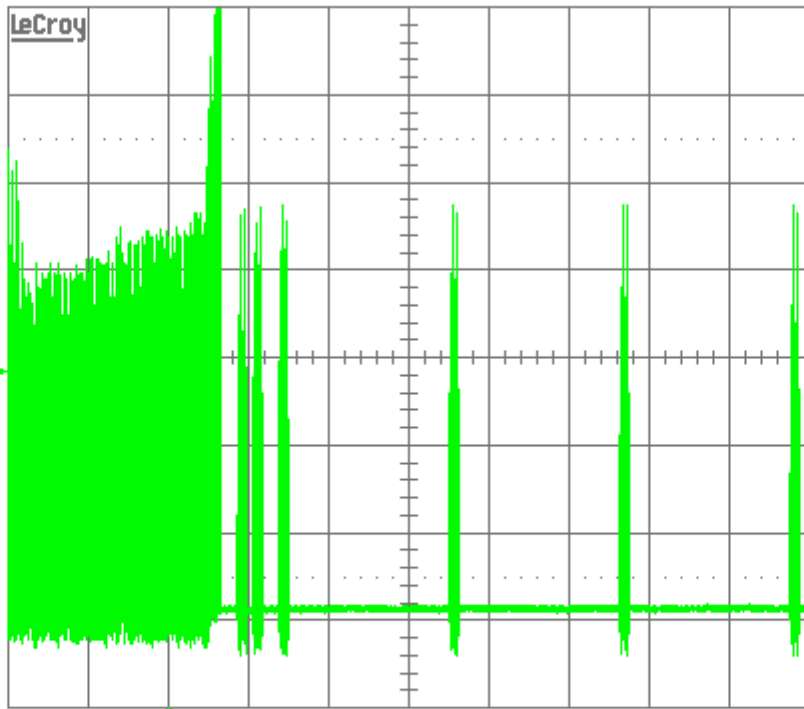
2. Blocked rotor after the normal operation of the fan

The internal software measures if the fan has been blocked. In this case the second current pulse starts 1 sec later then in case 1.

5-Apr-12
14:32:49

REMOTE ENABLE

5 s
100 mA



GO TO LOCAL

	5 s		BWL
1	5	V	DC $\times 10$
2	5	V	DC $\times 10$
3	1	V	DC $\times 10$
4	.1	V	DC



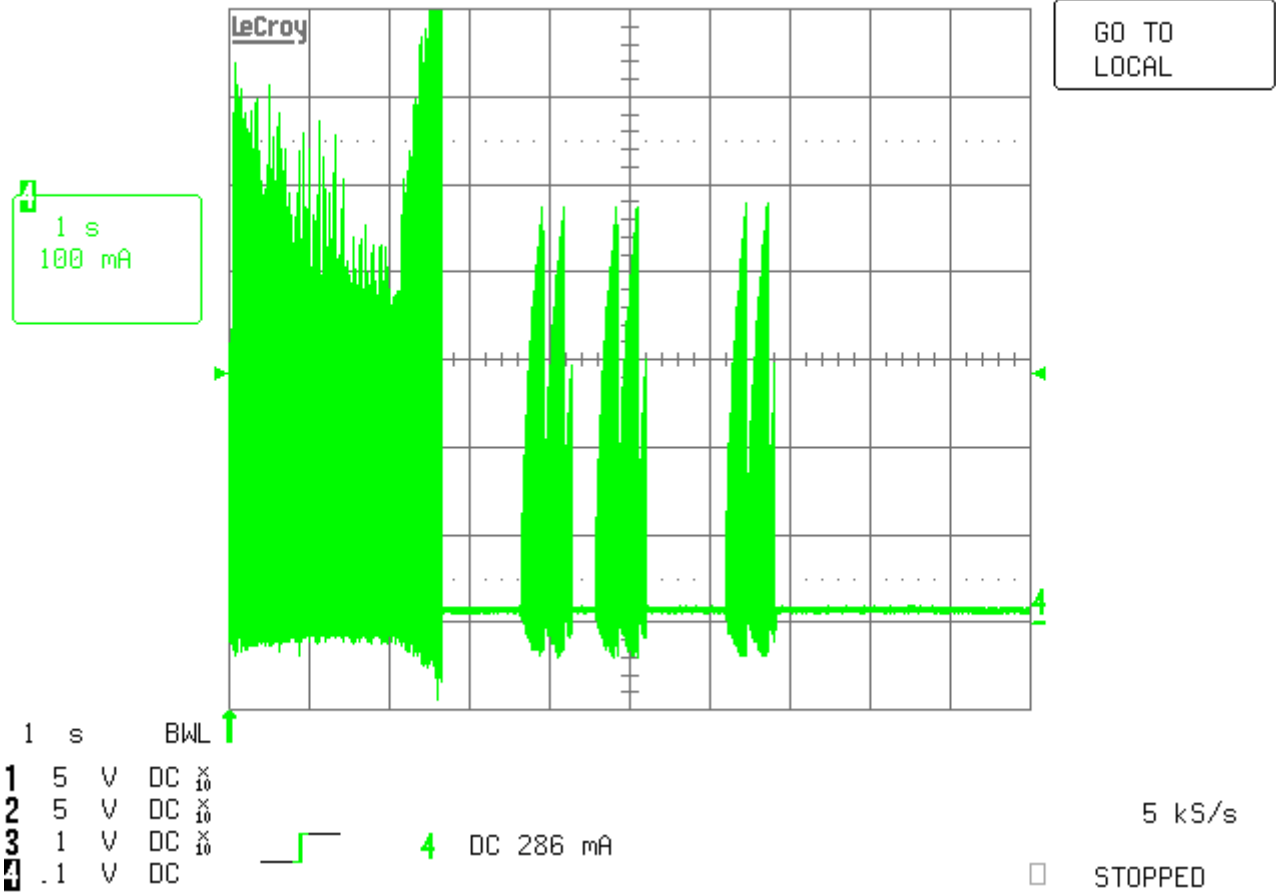
4 DC 286 mA

1 kS/s

STOPPED

5-Apr-12
14:34:45

REMOTE ENABLE



3.4 Aerodynamics

Measurement conditions:

Measured with a double chamber intake rig acc. to DIN EN ISO 5801.

Normal air density = 1,2 kg/m³; Temperature 23°C +/- 3°C;

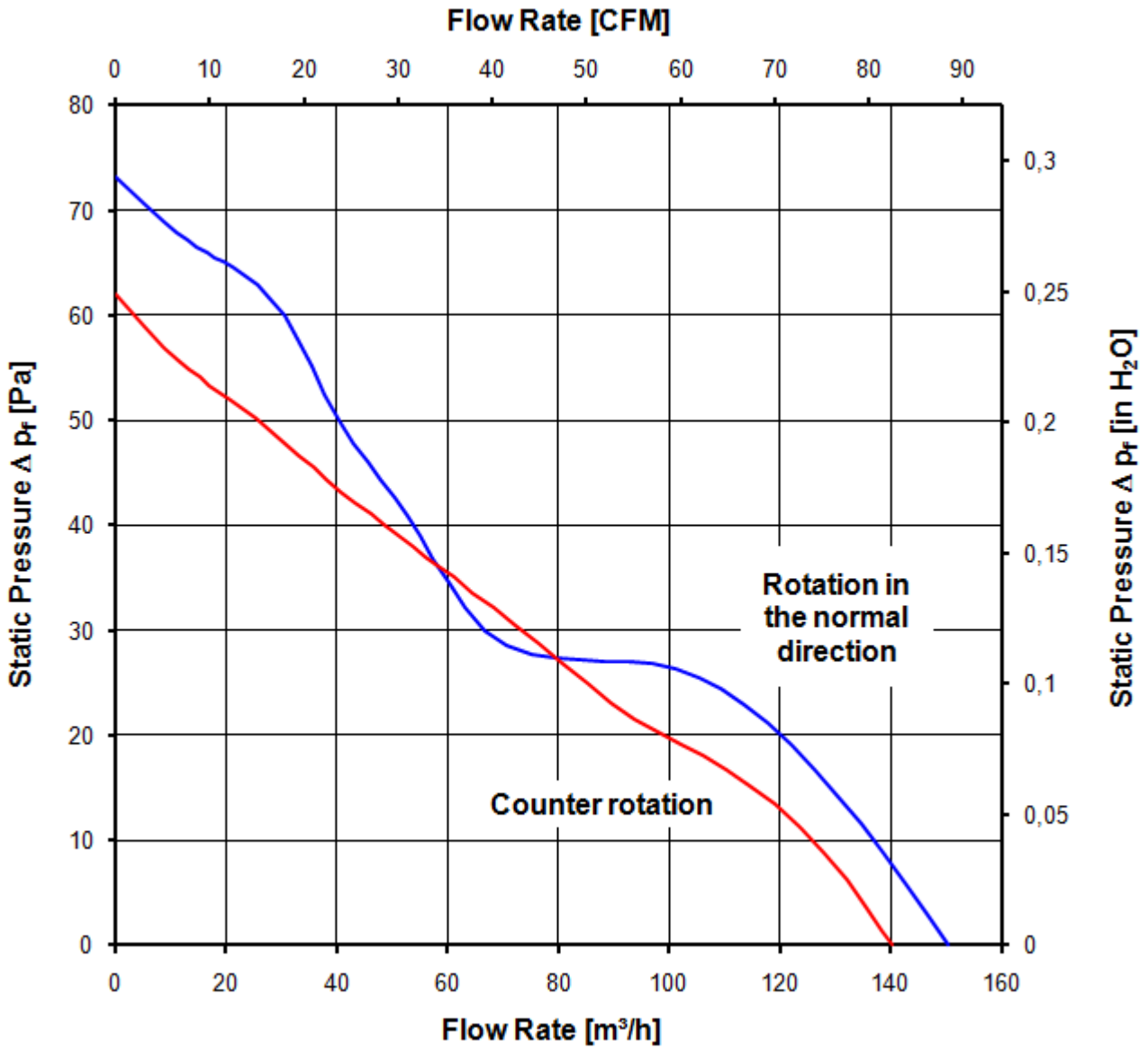
In the intake and outlet area should not be any solid obstruction within 0,5 m. Motor shaft horizontal.

The information is only valid under the specified test conditions and may be changed by the installation conditions. If there are deviations from the standard test conditions, the characteristic values must be checked under the installed conditions.

a.) Operation condition:

2.650 1/min at free air flow	PWM <= 3 %;	f: 2 kHz	f: 5 kHz
------------------------------	-------------	----------	----------

Max. free-air flow ($\Delta p = 0 / \dot{V} = \max.$)	150,0 m ³ /h	
Max. static pressure ($\Delta p = \max. / \dot{V} = 0$)	73 Pa	



3.5 Sound Data

Measurement conditions: Sound pressure level: 1 meter distance between microphone and the air intake.

Measured in a semianchoic chamber with a background noise level of $L_p(A) < 5 \text{ dB(A)}$
 For further measurement conditions see chapter aerodynamics.

a.) Operation condition:

2.650 1/min at free air flow	PWM $\leq 3 \%$;	f: 2 kHz	f: 5 kHz
------------------------------	-------------------	----------	----------

4 Environment

4.1 General

Min. permitted ambient temperature TU min.	-20 °C	
Max. permitted ambient temperature TU max.	50 °C	
Min. permitted storage temperature TL min.	-40 °C	
Max. permitted storage temperature TL max.	80 °C	

4.2 Climatic Requirements

Humidity requirements	humid heat, cyclic; according to DIN EN 60068-2-30, 6 cycle	
Water exposure	None	
Dust requirements	Dust check; according to DIN EN 60068-2-68, 6g/m2d, 1 day	
Salt fog requirements	None	

Permitted application area:

The product is for the use in sheltered rooms with limited controlled temperature. Occasionally condensed water is allowed. Direct exposure to water must be avoided. Saline ambient conditions must be avoided.

Pollution degree 2 (according DIN EN 60664-1)

It occurs only non-conductive pollution. Occasionally, temporary conductivity caused by condensation occurs.

Please require severity levels and specification parameters from the responsible development departments.

5 Safety

5.1 Electrical Safety

Dielectric strength DIN EN 60950 (VDE 0805) and DIN EN 60335 (VDE 0700) A.) Type test Measuring conditions: After 48h of storage at 95% R.H. and 25°C. No arcing or breakdown is allowed! All connections together to ground. B.) Routine test Measuring conditions: At indoor climate. No arcing or breakdown is allowed! All connections together to ground.	500 VAC / 1 Min. 850 VDC / 1 Sec.	
Isolation resistance Measuring conditions: After 48h of storage at 95% R.H. and 25°C measured with U=500 VDC for 1 min.	RI > 10 MOhm	
Clearance / creepage distance	1,0 mm / 1,2 mm	
Protection class	III	

5.2 Approval Tests

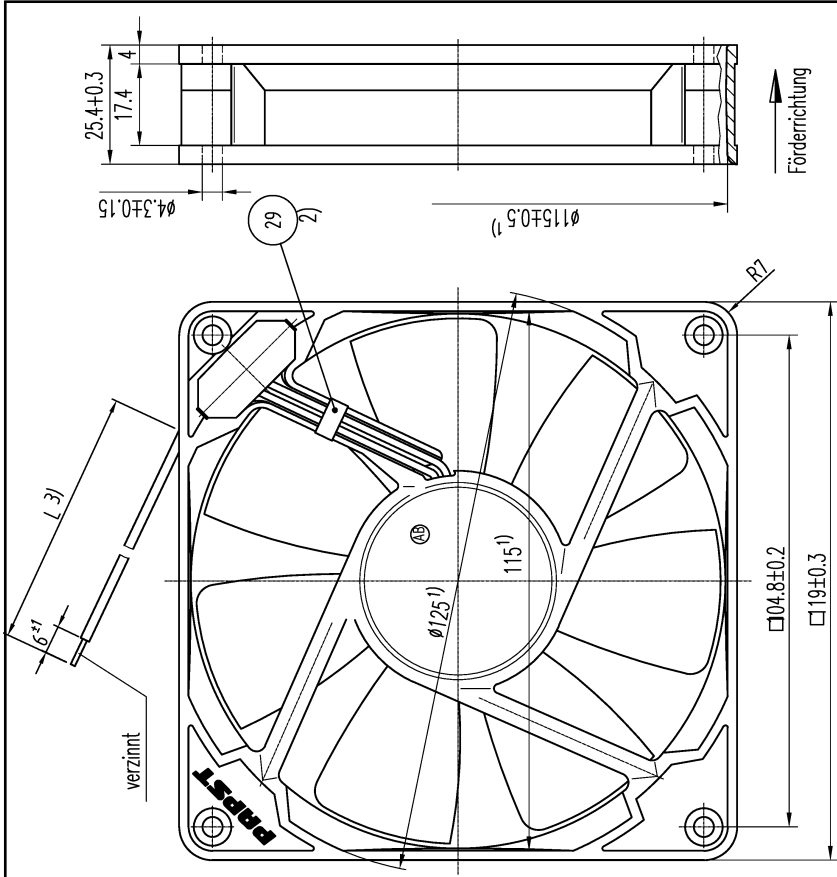
CE	EC Declaration of Conformity	Yes
EAC	Eurasian Conformity	Yes
UL	Underwriters Laboratories	Yes / UL507, Electric Fans
VDE	Association for Electrical, Electronic and Information Technologies	Yes / Approval acc. to EN 60950 (VDE 0805) - Information technology equipment
CSA	Canadian Standards Association	Yes / C22.2 No. 113 Fans and Ventilators
CCC	China Compulsory Certification	Not applicable

6 Reliability

6.1 General

Copying of this document, and giving it to others and the use or communication of the contents hereof, are forbidden without express authority. Offenders are liable to the payment of damages. All rights are reserved in the event of the grant of a patent or the registration of a utility model or design.

Schutzvermerk nach DIN ISO 16016 beachten/
Refer to protection notice DIN ISO 16016!



Axialspiel bei Kugellagerung (K) : 0 (mit Federausgleich)
 Axialspiel bei Gleitlagerung (G) : 0.1 – 0.6
 1) Maße für Montagewand
 2) Pos. 29 nur wenn in Stückliste vorhanden
 3) Anzahl und Länge der Litzen siehe Produktspezifikation

SMP-Stab/Säule Änd.-Nr./Change-No.	Aut./Üb.-System-Nr./sein Date/Version	ebmpapst CAD-Übernahme/ CAD-Environment Name/Name	Werkstoff/Material:		Volumen/Volume (mm ³):
					Gewicht/Weight (g):
Tolerierung/Tolerances: Allgemeintoleranzen/Gen. tolerances:	Beim/ Drawn	Artikel/Title			
	Gepr./ Checked Empf./ Receives	Zug.-Nr. / Drawing-No.:			
ebmpapst ebm-papst St. Georgen GmbH & Co. KG			Feldname/Field Name		Form/Side
			Ers. Zeich./Replaces:		Maßstab/Scale