

Product Data Sheet 5318/2HP

ebmpapst

The engineer's choice



5318/2HP

INDEX

1	General	3
2	Mechanics	3
2.1	General.....	3
2.2	Connections.....	3
3	Operating Data	4
3.1	Electrical Interface - Input.....	4
3.2	Electrical Operating Data	5
3.3	Electrical Interface - Output.....	6
3.4	Electrical Features	6
3.5	Aerodynamics.....	8
3.6	Sound Data.....	10
4	Environment	10
4.1	General.....	10
4.2	Climatic Requirements	10
5	Safety	11
5.1	Electrical Safety	11
5.2	Approval Tests.....	11
6	Reliability	11
6.1	General.....	11

1 General

Fan type	Fan	
Rotating direction looking at rotor	Counterclockwise	
Airflow direction	Air intake over struts	
Bearing system	Ball bearing	
Mounting position - shaft	Any	

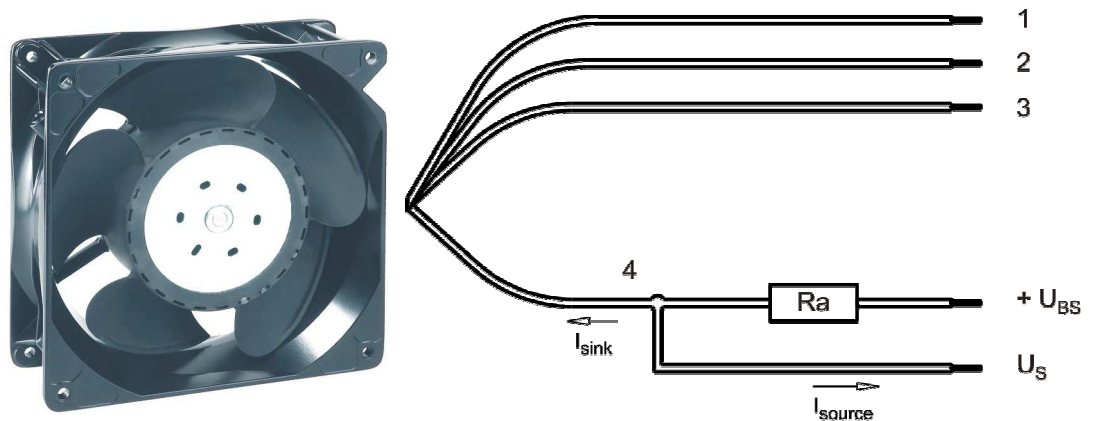
2 Mechanics

2.1 General

Width	140,0 mm	
Height	140,0 mm	
Depth	51,0 mm	
Mass	0,900 kg	
Housing material	Metal	
Impeller material	Plastic	
Max. torque when mounted across both mounting flanges	Wire outlet corner: 440 Ncm Remaining corners: 600 Ncm	
Screw size	ISO 4762 - M4 degreased, without an additional brace and without washer	

2.2 Connections

Electrical connection	Wires	
Lead wire length	L = 310 mm	
Tolerance	+ - 10,0 mm	
Tube length	S = 0 mm	
Tolerance		



Wire	Color	Operation	Wire size	Insulation diameter
1	red	+ UB	AWG 22	1,7 mm
2	blue	- GND	AWG 22	1,7 mm
3	violet	PWM	AWG 22	1,7 mm
4	white	Tacho	AWG 22	1,7 mm

The auxiliaries shown on the schematic diagram (which are required for the intended use) are not part of our delivery.

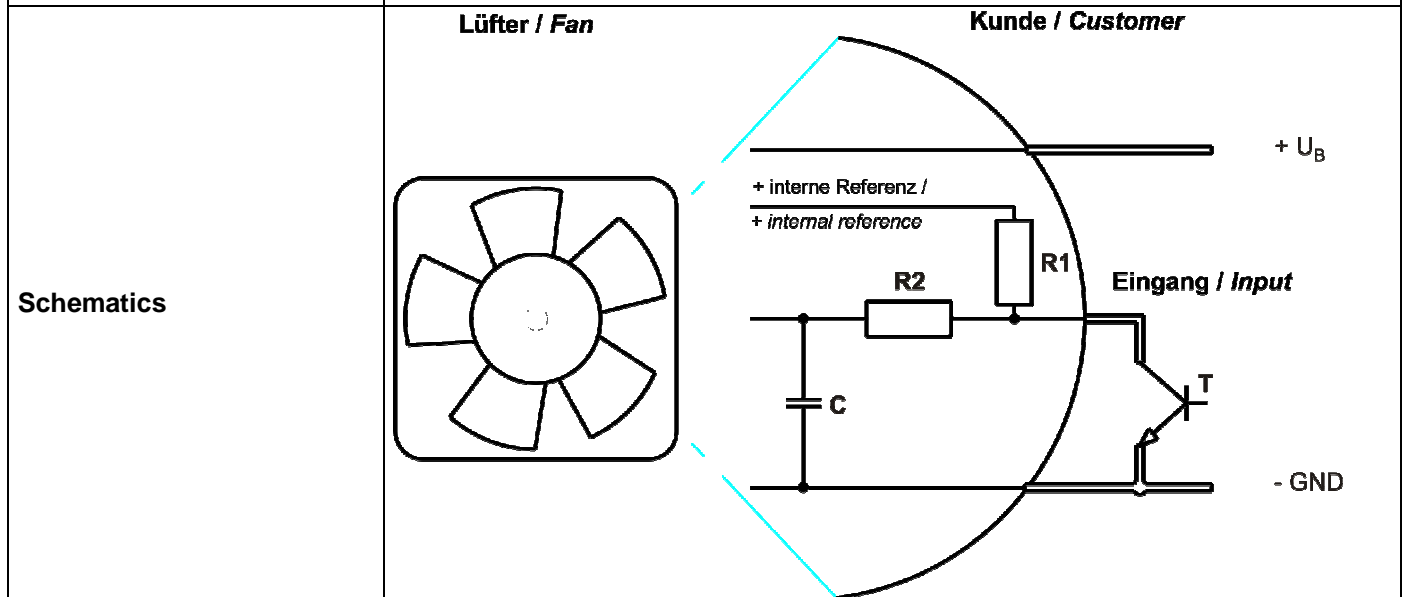
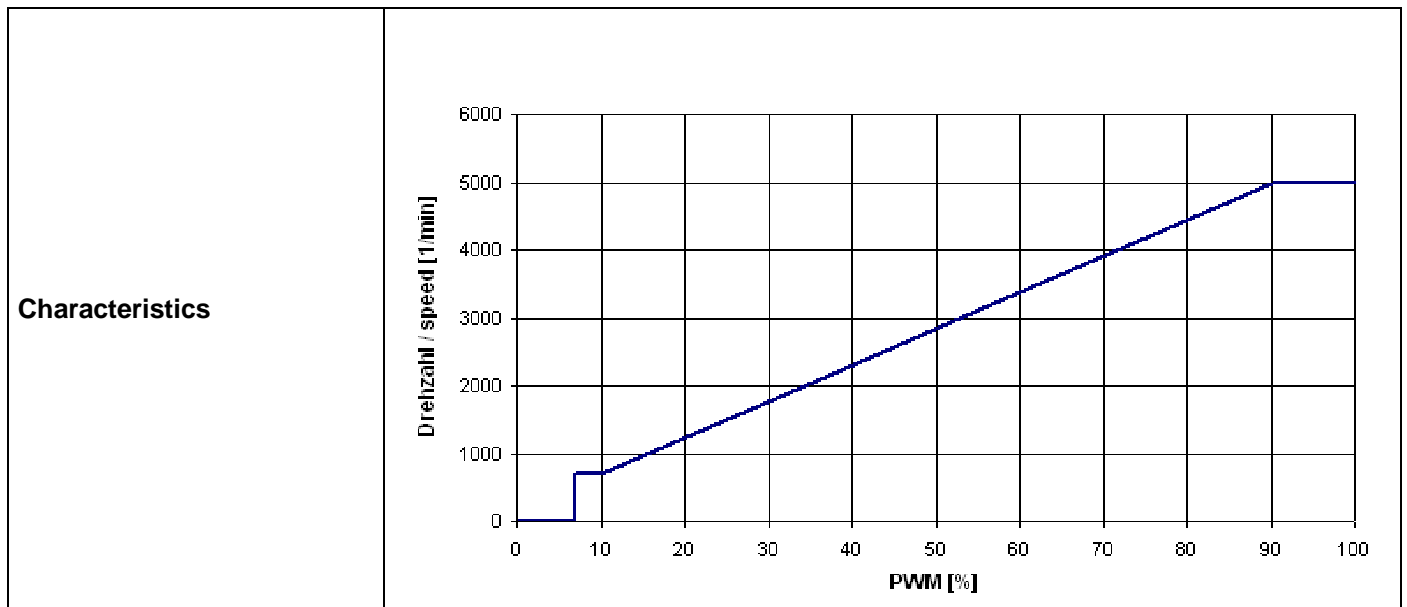
3 Operating Data

3.1 Electrical Interface - Input

Control input	PWM
---------------	-----

Features

Input type	Open collector	
PWM - Frequency		1 kHz - 20 kHz typical: 2 kHz



3.2 Electrical Operating Data

Measurement conditions: Normal air density = 1,2 kg/m³; Temperature 23°C +/- 3°C; Motor axis horizontal; warm-up time before measuring 5 minutes (unless otherwise specified). In the intake and outlet area should not be any solid obstruction within 0,5 m.

$\Delta p = 0$: corresp. to free air flow (see chapter aerodynamics)

I: corresp. to arithm. mean current value

Name	Condition
PWM 0001	PWM: 100 %; f: 2 kHz

Features	Condition	Symbol	Values		
Voltage range		U	36 V		72 V
Nominal voltage		U_N		48,0 V	
Power consumption	$\Delta p = 0$	P	19,8 W	27 W	28,5 W
Tolerance	PWM 0010		+/- 20 %	+/- 10 %	+/- 15 %
Current consumption	$\Delta p = 0$	I	550 mA	550 mA	395 mA
Tolerance	PWM 0010		+/- 20 %	+/- 10 %	+/- 15 %
Speed	$\Delta p = 0$	n	4.300 1/min	5.000 1/min	5 1/min
Tolerance	PWM 0010		+/- 10 %	+/- 5 %	+/- 5 %
Starting current consumption				1.200 mA	

3.3 Electrical Interface - Output

Tacho type	/2 (open collector)
------------	---------------------

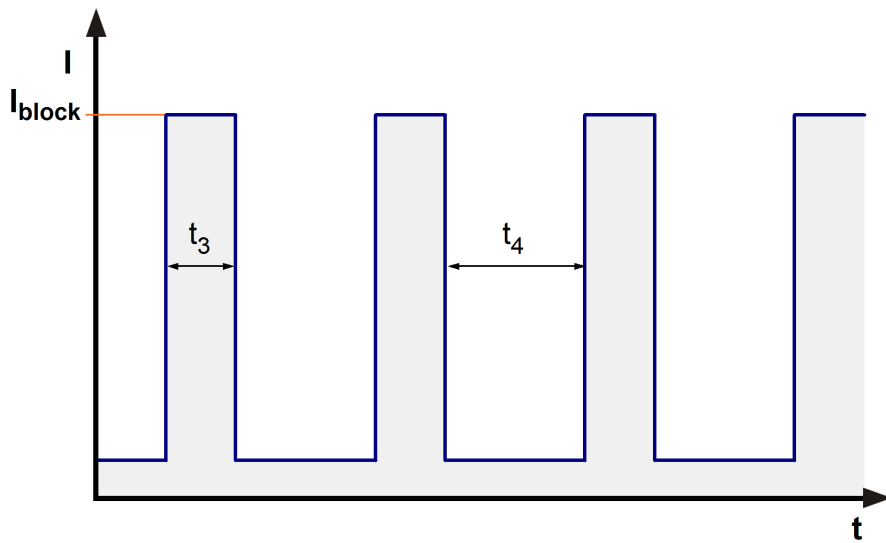


Features	Note	Values
Tacho operating voltage	U_{BS}	$\leq 60\text{ V}$
Tacho signal Low	$U_{S\ low}$	$\leq 0,4\text{ V}$
Tacho signal High	$U_{S\ high}$	$\leq 60\text{ V}$
Maximum sink current	I_{sink}	$\leq 20\text{ mA}$
External resistor	External resistor R_a from U_{BS} to U_S required. All voltages measured to GND.	
Tacho frequency	$(2 \times n) / 60$	
Tacho isolated from motor	No	
Slew rate		$\Rightarrow 0,5\text{ V/us}$

n = revolutions per minute (1/min)

3.4 Electrical Features

Electronic function	Speed-Controlled	
Reversed polarity protection	Rectifying diode	
Max. residual current at U_N	$I_F \leq 5\text{ mA}$	
Locked rotor protection	Auto restart	
Locked rotor current at U_N	I_{block} approx. 1.400 mA	
Clock signal at locked rotor	t_3 / t_4 typical: 0,5 s / 5,0 s	

**Internal Fuse:**

Littlefuse NANO2(R) FUSE; Very fast acting 451 Series; 2 A (Art.-Nr.: 451002)

Current during braking of the rotor

Max. current when decelerate at U_{nom} . = < 2.650 mA peak

Max. current when decelerate at U_{nom} . approx 3.000 mA peak.

3.5 Aerodynamics

Measurement conditions:

Measured with a double chamber intake rig acc. to DIN EN ISO 5801.

Normal air density = 1,2 kg/m³; Temperature 23°C +/- 3°C;

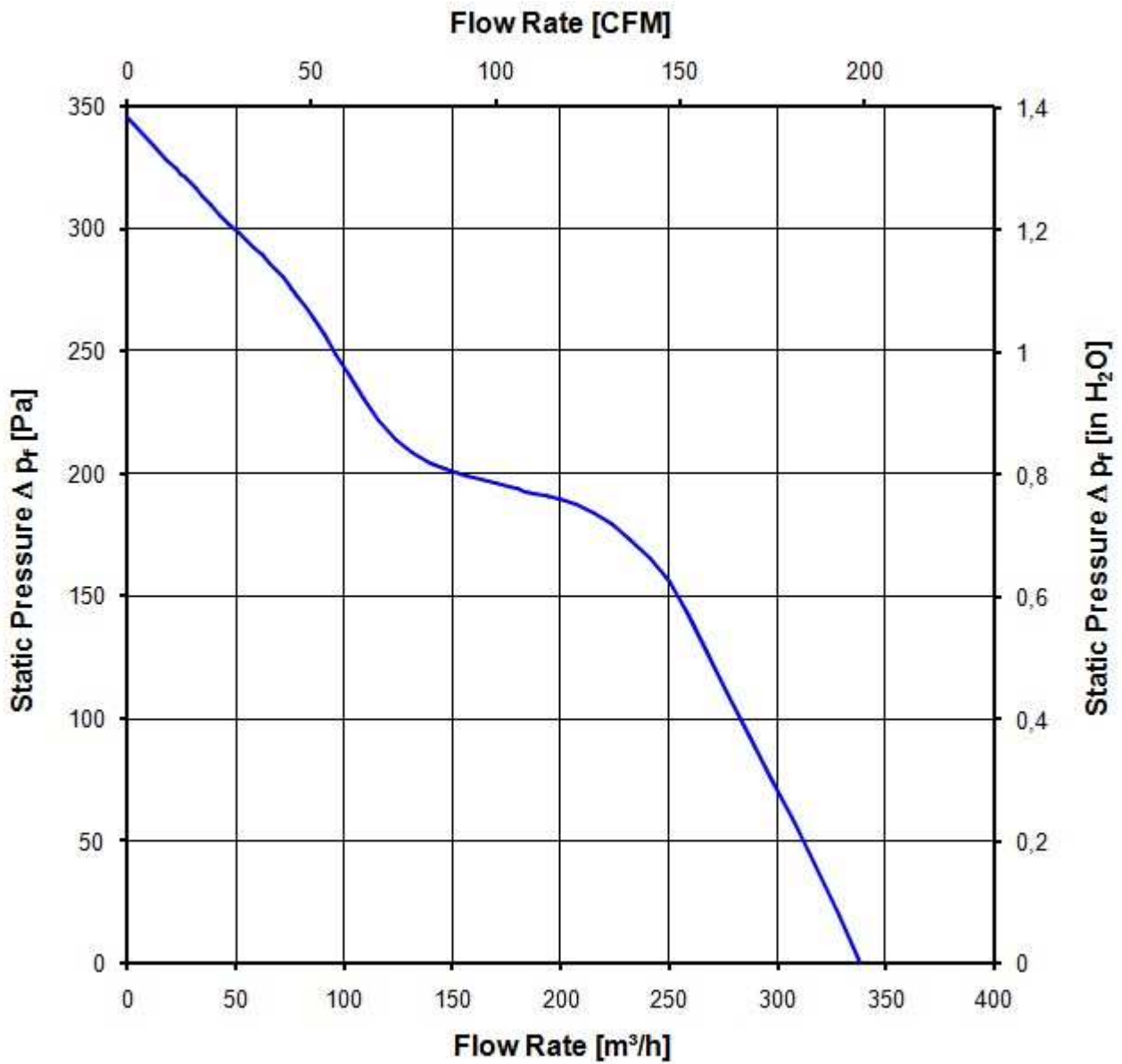
In the intake and outlet area should not be any solid obstruction within 0,5 m. Motor shaft horizontal.

The information is only valid under the specified test conditions and may be changed by the installation conditions. If there are deviations from the standard test conditions, the characteristic values must be checked under the installed conditions.

a.) Operation condition:

5.000 1/min at free air flow	PWM 100 %; f: 2 kHz		
------------------------------	---------------------	--	--

Max. free-air flow ($\Delta p = 0 / \dot{V} = \text{max.}$)	340,0 m ³ /h	
Max. static pressure ($\Delta p = \text{max.} / \dot{V} = 0$)	345 Pa	



3.6 Sound Data

Measurement conditions: Sound pressure level: 1 meter distance between microphone and the air intake.
 Sound power level: Acc. to DIN 45635 part 38 (ISO 10302)
 Measured in a semianchoic chamber with a background noise level of $L_p(A) < 5 \text{ dB}(A)$
 For further measurement conditions see chapter aerodynamics.

a.) Operation condition:

5.000 1/min at free air flow	PWM 100 %; f: 2 kHz		
------------------------------	---------------------	--	--

Optimal operating point	220,0 m3/h @ 160 Pa	
Sound power level at the optimal operating point	7,2 bel(A)	
Sound pressure level at free air flow, measured in rubber bands	64,0 dB(A)	

4 Environment

4.1 General

Min. permitted ambient temperature TU min.	-20 °C	
Max. permitted ambient temperature TU max.	65 °C	
Min. permitted storage temperature TL min.	-40 °C	
Max. permitted storage temperature TL max.	80 °C	

4.2 Climatic Requirements

Humidity requirements	humid heat, constant; according to DIN EN 60068-2-78, 14 days	
Water exposure	None	
Dust requirements	None	
Salt fog requirements	None	

Permitted application area:

The product is intended for use in sheltered rooms with controlled temperature and controlled humidity. Directly exposure to water must be avoided.

Pollution degree 1 (according DIN EN 60664-1)

There is either no pollution or it occurs only dry, non-conductive pollution. The pollution has no negative impact.

Please require severity levels and specification parameters from the responsible development departments.

5 Safety

5.1 Electrical Safety

Dielectric strength DIN EN 60950 (VDE 0805) and DIN EN 60335 (VDE 0700) A.) Type test Measuring conditions: After 48h of storage at 95% R.H. and 25°C. No arcing or breakdown is allowed! All connections together to ground.	1000 VAC / 1 Min.	
B.) Routine test Measuring conditions: At indoor climate. No arcing or breakdown is allowed! All connections together to ground.	1700 VDC / 1 Sec.	
Isolation resistance Measuring conditions: After 48h of storage at 95% R.H. and 25°C measured with U=500 VDC for 1 min.	RI > 10 MOhm	
Clearance / creepage distance	1,0 mm / 1,5 mm	
Protection class	I	

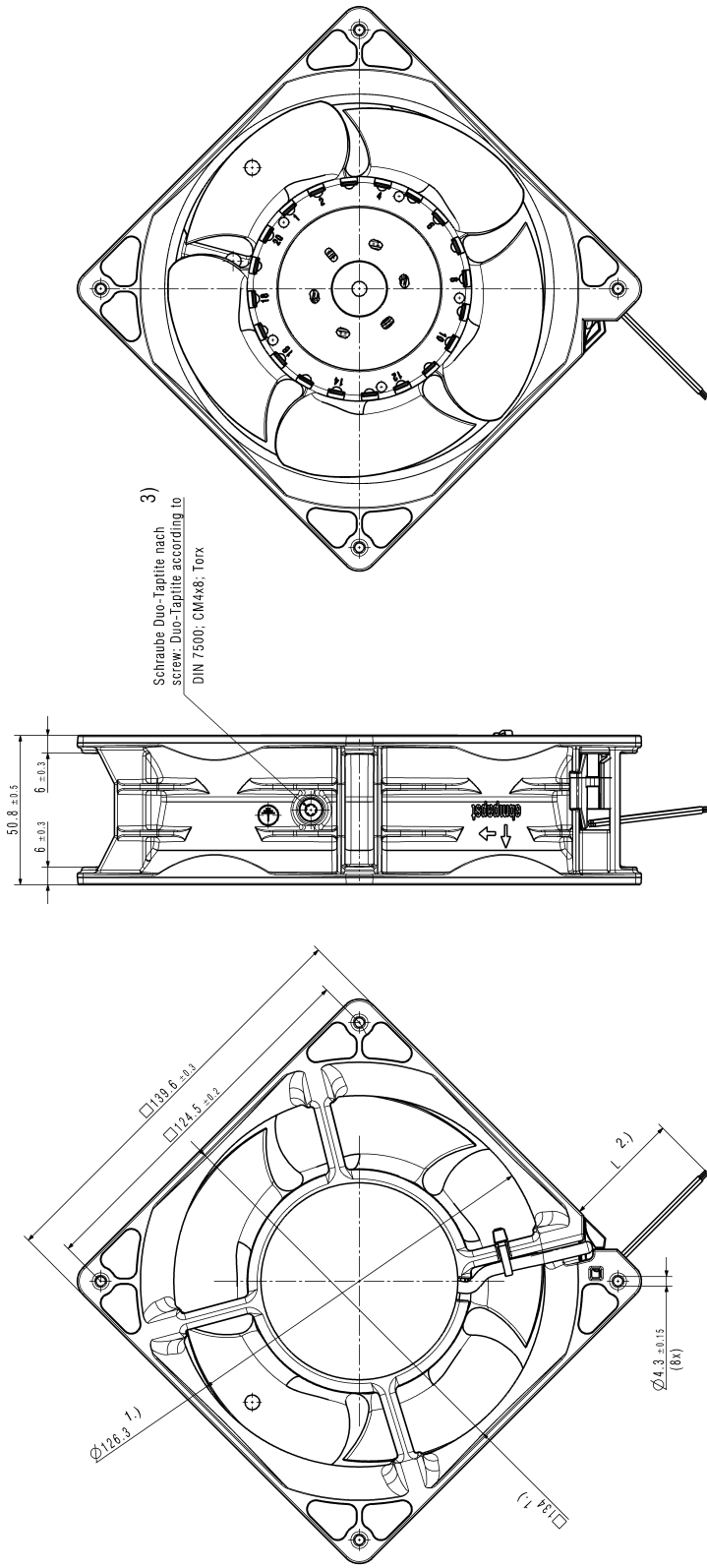
5.2 Approval Tests

CE	EC Declaration of Conformity	Yes
EAC	Eurasian Conformity	Yes
UL	Underwriters Laboratories	Yes / UL audited by CSA according to UL507, Electric Fans
VDE	Association for Electrical, Electronic and Information Technologies	Yes / Approval acc. to EN 60950 (VDE 0805) - Information technology equipment
CSA	Canadian Standards Association	Yes / C22.2 No. 113 Fans and Ventilators
CCC	China Compulsory Certification	Yes / GB 12350 Safety Requirements for small Power Motors

6 Reliability

6.1 General

Life expectancy L10 at TU = 40 °C	77.500 h	
Life expectancy L10 at TU max.	40.000 h	
Life expectancy L10 acc. to IPC 9591 at TU = 40 °C	130.000 h	



- 1.) Maße aus Montageausschnitt
 - 2.) Anzahl und Länge der Litzen siehe Produktspezifikation
 - 3.) nur wenn in Stückliste enthalten
- Axialspiel der Kugellager mit Feder spielfrei gelagert
- 1.) measures of mounting cut out
 - 2.) length an number of wires see product specification
 - 3.) only if it is included in bill of material
- ball bearing without clearance by a pre-load spring

Zeichnung entspricht 3D-Modell:
 Drawing is equivalent to 3D-Model:
 9885490181_CPR_000_...
 System: CATIA V5 R. 16

SP-Produktname	Produktcode	Produktname	Produkttyp	Produktgruppe										
Produktfamilie	Produktlinie	Produktvariante	Produktversion	Produktstatus										
<table border="1"> <tr> <td>Hersteller / Hersteller</td> <td>Produkt / Produkt</td> </tr> <tr> <td>Produkt / Produkt</td> <td>Produkt / Produkt</td> </tr> <tr> <td>Produkt / Produkt</td> <td>Produkt / Produkt</td> </tr> <tr> <td>Produkt / Produkt</td> <td>Produkt / Produkt</td> </tr> <tr> <td>Produkt / Produkt</td> <td>Produkt / Produkt</td> </tr> </table>					Hersteller / Hersteller	Produkt / Produkt	Produkt / Produkt	Produkt / Produkt	Produkt / Produkt	Produkt / Produkt	Produkt / Produkt	Produkt / Produkt	Produkt / Produkt	Produkt / Produkt
Hersteller / Hersteller	Produkt / Produkt													
Produkt / Produkt	Produkt / Produkt													
Produkt / Produkt	Produkt / Produkt													
Produkt / Produkt	Produkt / Produkt													
Produkt / Produkt	Produkt / Produkt													
<table border="1"> <tr> <td>Produkt / Produkt</td> <td>Produkt / Produkt</td> </tr> <tr> <td>Produkt / Produkt</td> <td>Produkt / Produkt</td> </tr> <tr> <td>Produkt / Produkt</td> <td>Produkt / Produkt</td> </tr> <tr> <td>Produkt / Produkt</td> <td>Produkt / Produkt</td> </tr> <tr> <td>Produkt / Produkt</td> <td>Produkt / Produkt</td> </tr> </table>					Produkt / Produkt	Produkt / Produkt	Produkt / Produkt	Produkt / Produkt	Produkt / Produkt	Produkt / Produkt	Produkt / Produkt	Produkt / Produkt	Produkt / Produkt	Produkt / Produkt
Produkt / Produkt	Produkt / Produkt													
Produkt / Produkt	Produkt / Produkt													
Produkt / Produkt	Produkt / Produkt													
Produkt / Produkt	Produkt / Produkt													
Produkt / Produkt	Produkt / Produkt													
<table border="1"> <tr> <td>Produkt / Produkt</td> <td>Produkt / Produkt</td> </tr> <tr> <td>Produkt / Produkt</td> <td>Produkt / Produkt</td> </tr> <tr> <td>Produkt / Produkt</td> <td>Produkt / Produkt</td> </tr> <tr> <td>Produkt / Produkt</td> <td>Produkt / Produkt</td> </tr> <tr> <td>Produkt / Produkt</td> <td>Produkt / Produkt</td> </tr> </table>					Produkt / Produkt	Produkt / Produkt	Produkt / Produkt	Produkt / Produkt	Produkt / Produkt	Produkt / Produkt	Produkt / Produkt	Produkt / Produkt	Produkt / Produkt	Produkt / Produkt
Produkt / Produkt	Produkt / Produkt													
Produkt / Produkt	Produkt / Produkt													
Produkt / Produkt	Produkt / Produkt													
Produkt / Produkt	Produkt / Produkt													
Produkt / Produkt	Produkt / Produkt													

