

Product Data Sheet RLF35-8/14N

ebmpapst

The engineer's choice



RLF35-8/14N

INDEX

1 General..... 3

2 Mechanics..... 3

 2.1 General..... 3

 2.2 Connections..... 3

3 Operating Data 4

 3.1 Electrical Operating Data 4

 3.2 Electrical Features..... 4

 3.3 Aerodynamics..... 6

 3.4 Sound Data..... 7

4 Environment 7

 4.1 General..... 7

 4.2 Climatic Requirements 7

5 Safety 8

 5.1 Electrical Safety..... 8

 5.2 Approval Tests 8

6 Reliability 8

 6.1 General..... 8

1 General

Fan type	Blower	
Rotating direction looking at rotor	Counterclockwise	
Airflow direction	Air in axially, Air out radially	
Bearing system	Ball bearing	
Mounting position - shaft	Any	

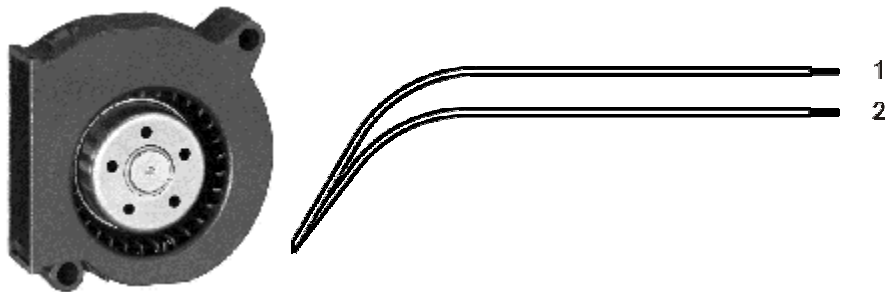
2 Mechanics

2.1 General

Width	51,0 mm	
Height	51,0 mm	
Depth	15,0 mm	
Mass	0,036 kg	
Housing material	Plastic	
Impeller material	Plastic	
Max. torque when mounted across both mounting flanges	Wire outlet corner: 100 Ncm Remaining corners: 100 Ncm	
Screw size	ISO 4762 - M4 degreased, without an additional brace and without washer	

2.2 Connections

Electrical connection	Wires	
Lead wire length	L = 310 mm	
Tolerance	+/- 10,0 mm	
Wire size (AWG)	26	
Insulation diameter	1,35 mm	



Wire	Color	Operation
1	red	+ UB
2	blue	- GND

3 Operating Data

3.1 Electrical Operating Data

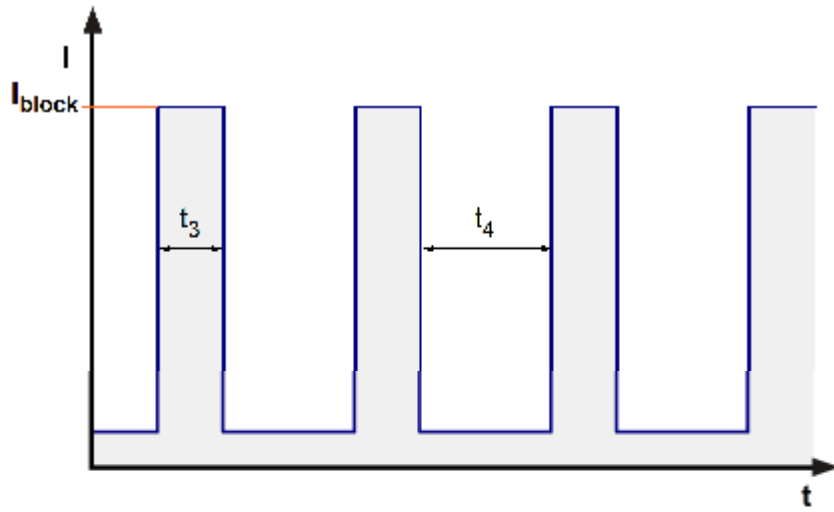
Measurement conditions: Normal air density = 1,2 kg/m³; Temperature 23°C +/- 3°C; Motor axis horizontal; warm-up time before measuring 5 minutes (unless otherwise specified). In the intake and outlet area should not be any solid obstruction within 0,5 m.

$\Delta p = 0$: corresp. to free air flow (see chapter aerodynamics)
I: corresp. to arithm. mean current value

Features	Condition	Symbol	Values		
Voltage range		U	14,0 V		28,0 V
Nominal voltage		U_N		24,0 V	
Power consumption	$\Delta p = 0$	P	1,6 W	4,3 W	6,0 W
Tolerance	0010		+/- 17,5 %	+/- 12,5 %	+/- 17,5 %
Current consumption	$\Delta p = 0$	I	113 mA	180 mA	215 mA
Tolerance	0010		+/- 17,5 %	+/- 12,5 %	+/- 17,5 %
Speed	$\Delta p = 0$	n	4.400 1/min	6.700 1/min	7.450 1/min
Tolerance	0010		+/- 15,0 %	+/- 15,0 %	+/- 15,0 %
Starting current consumption				340 mA	

3.2 Electrical Features

Electronic function	None	
Reversed polarity protection	Rectifying diode	
Max. residual current at U_N	$I_F \leq 50 \mu A$	
Locked rotor protection	Auto restart	
Locked rotor current at U_N	I_{block} approx. 310 mA	
Clock signal at locked rotor	t_3 / t_4 typical: 0,16 s / 1,0 s	

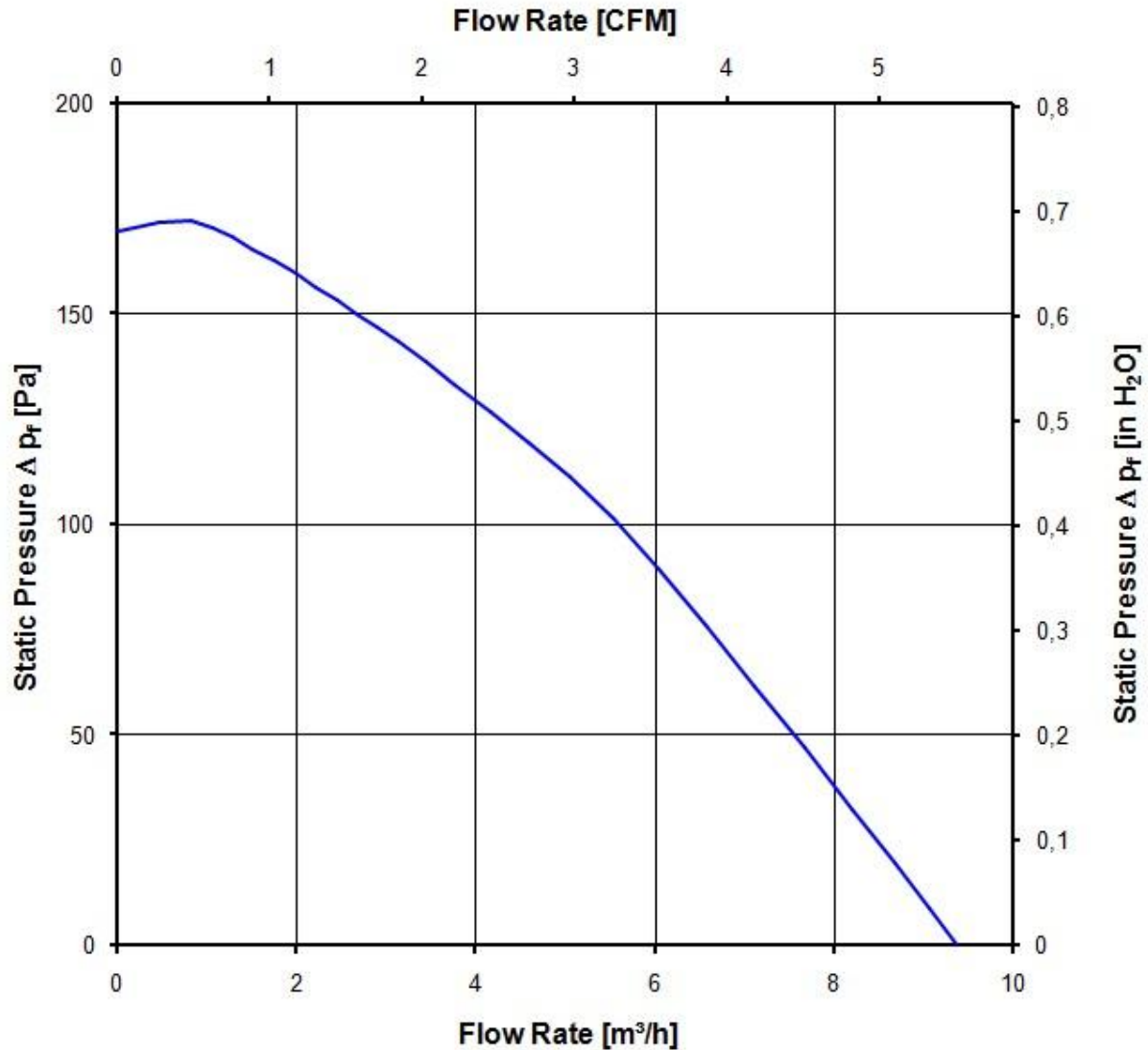


3.3 Aerodynamics

Measurement conditions: Measured with a double chamber intake rig.
 Normal air density = 1,2 kg/m³; Temperature 23°C +/- 3°C;
 In the intake and outlet area should not be any solid obstruction within 0,5 m. Motor shaft horizontal.
 The information is only valid under the specified test conditions and may be changed by the installation conditions. If there are deviations from the standard test conditions, the characteristic values must be checked under the installed conditions.

a.) Operation condition:

6.700 1/min at free air flow		
Max. free-air flow ($\Delta p = 0 / \dot{V} = \text{max.}$)	9,6 m ³ /h	
Max. static pressure ($\Delta p = \text{max.} / \dot{V} = 0$)	170 Pa	



3.4 Sound Data

Measurement conditions: Sound pressure level: 1 meter distance between microphone and the air intake.
 Sound power level: Acc. to DIN 45635 part 38 (ISO 10302)
 Measured in a semianchoic chamber with a background noise level of $L_p(A) < 5 \text{ dB(A)}$
 For further measurement conditions see chapter aerodynamics.

a.) Operation condition:

6.700 1/min at free air flow		
Optimal operating point	7,0 m ³ /h @ 60 Pa	
Sound power level at the optimal operating point	5,5 bel(A)	
Sound pressure level at free air flow, measured in rubber bands		

4 Environment

4.1 General

Min. permitted ambient temperature TU min.	-20 °C	
Max. permitted ambient temperature TU max.	70 °C	
Min. permitted storage temperature TL min.	-40 °C	
Max. permitted storage temperature TL max.	85 °C	

4.2 Climatic Requirements

Humidity requirements	humid heat, constant; according to DIN EN 60068-2-78, 14 days	
Water exposure	None	
Dust requirements	None	
Salt fog requirements	None	

Permitted application area:

The product is intended for use in sheltered rooms with controlled temperature and controlled humidity. Directly exposure to water must be avoided.

Pollution degree 1 (according DIN EN 60664-1)

There is either no pollution or it occurs only dry, non-conductive pollution. The pollution has no negative impact.

Please require severity levels and specification parameters from the responsible development departments.

5 Safety

5.1 Electrical Safety

Dielectric strength DIN EN 60950 (VDE 0805) and DIN EN 60335 (VDE 0700) A.) Type test Measuring conditions: After 48h of storage at 95% R.H. and 25°C. No arcing or breakdown is allowed! All connections together to ground. B.) Routine test Measuring conditions: At indoor climate. No arcing or breakdown is allowed! All connections together to ground.	500 VAC / 1 Min. 850 VDC / 1 Sec.	
Isolation resistance Measuring conditions: After 48h of storage at 95% R.H. and 25°C measured with U=500 VDC for 1 min.	RI > 10 MOhm	
Clearance / creepage distance	1,0 mm / 1,2 mm	
Protection class	III	

5.2 Approval Tests

CE	EC Declaration of Conformity	Yes
EAC	Eurasian Conformity	Yes
UL	Underwriters Laboratories	Yes / UL507, Electric Fans
VDE	Association for Electrical, Electronic and Information Technologies	Yes / Approval acc. to EN 60950 (VDE 0805) - Information technology equipment
CSA	Canadian Standards Association	Yes / C22.2 No. 113 Fans and Ventilators
CCC	China Compulsory Certification	Not applicable

The approval tests are observed to:

U approval max.:28,0 V @ TU approval max.: 70,0 °C

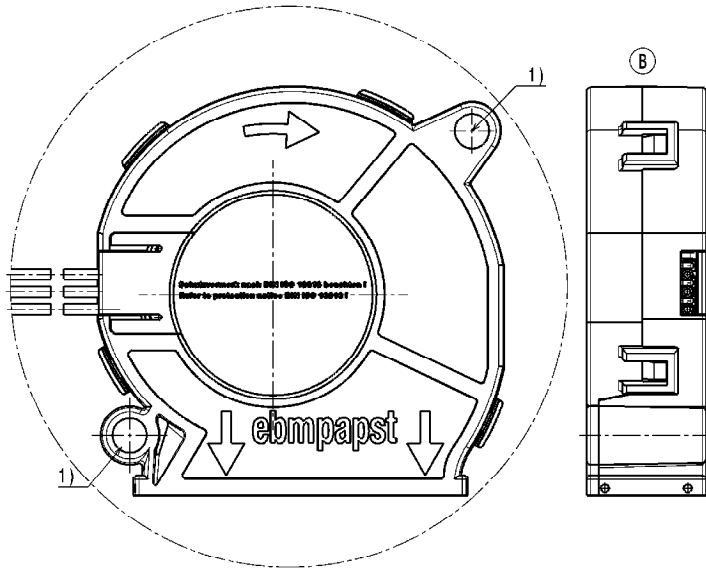
6 Reliability

6.1 General

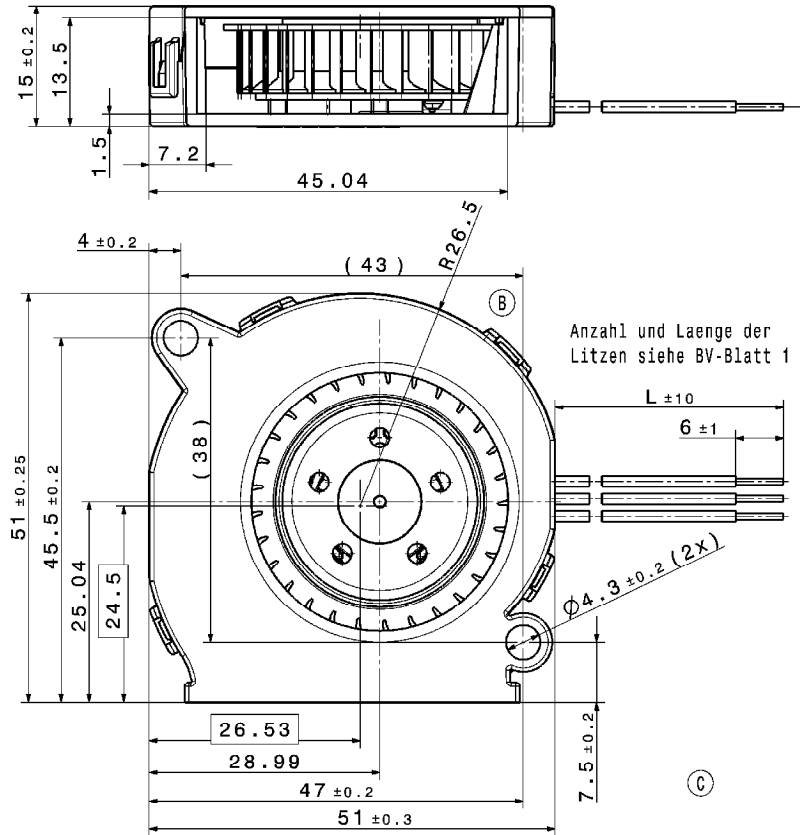
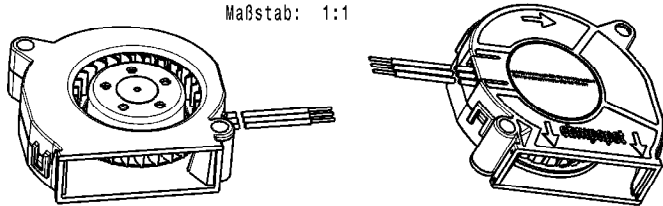
Life expectancy L10 at TU = 40 °C	60.000 h	
Life expectancy L10 at TU max.	30.000 h	
Life expectancy L10 acc. to IPC 9591 at TU = 40 °C	102.500 h	

Changes of this document, and details of changes and the use or commissioning of the correct version, are provided without warranty, obligations or liability to the recipient of changes. All rights are reserved in the event of the grant of a patent or the registration of a utility model or design.

Seitenauswert nach DIN EN ISO 9001 beachten!
Refer to production notice PN 300-8006!



Isometrische Ansicht
Maßstab: 1:1



1.) max. Anschraubdrehmoment 1,0 Nm

SWP-Status/Status	Rev.-Nr. / Change No.	CAD-System-Version/ CAXA-System-Version	CAD-Umgebung/ CAD-Environment	Werkstoff / Material:	Volumen / Volume (cm³):
		Datum	Name	Artikel / Title:	Gewicht / Mass (kg):
Tolerierung / Tolerances:		Bepr. / Drawn			
Allgemeintoleranzen / Gen. Tolerances:		Prüf. / Checked			
		Freige. / Released		Zug.-Nr. / Drawing No:	Erst. / Orig. / Replaces:
		ebmpapst		Behältertyp / Type of Document	Blattanzahl / (Blatt/ Page)
		eber-papst St. Georgen GmbH & Co KG		Index / Index	Format / Size: Maßstab/Scale 2:1